

This is a preview of "BS EN 1537:2013". Click [here](#) to purchase the full version from the ANSI store.

**BS EN 1537:2013**



**BSI Standards Publication**

# **Execution of special geotechnical works — Ground anchors**

**bsi.**

...making excellence a habit.™

This is a preview of "BS EN 1537:2013". [Click here to purchase the full version from the ANSI store.](#)

This British Standard is the UK implementation of EN 1537:2013. It supersedes BS EN 1537:2000 which is withdrawn.

The UK participation in its preparation was entrusted to Technical Committee B/526, Geotechnics.

A list of organizations represented on this committee can be obtained on request to its secretary.

This publication does not purport to include all the necessary provisions of a contract. Users are responsible for its correct application.

© The British Standards Institution 2013. Published by BSI Standards Limited 2013

ISBN 978 0 580 69301 4

ICS 93.020

**Compliance with a British Standard cannot confer immunity from legal obligations.**

This British Standard was published under the authority of the Standards Policy and Strategy Committee on 31 July 2013.

#### **Amendments issued since publication**

Date	Text affected
------	---------------

---

This is a preview of "BS EN 1537:2013". [Click here to purchase the full version from the ANSI store.](#)

## EUROPÄISCHE NORM

July 2013

ICS 93.020

Supersedes EN 1537:1999

English Version

## Execution of special geotechnical works - Ground anchors

Exécution des travaux géotechniques spéciaux - Tirants  
d'ancrage

Ausführung von Arbeiten im Spezialtiefbau - Verpressanker

This European Standard was approved by CEN on 8 May 2013.

CEN members are bound to comply with the CEN/CENELEC Internal Regulations which stipulate the conditions for giving this European Standard the status of a national standard without any alteration. Up-to-date lists and bibliographical references concerning such national standards may be obtained on application to the CEN-CENELEC Management Centre or to any CEN member.

This European Standard exists in three official versions (English, French, German). A version in any other language made by translation under the responsibility of a CEN member into its own language and notified to the CEN-CENELEC Management Centre has the same status as the official versions.

CEN members are the national standards bodies of Austria, Belgium, Bulgaria, Croatia, Cyprus, Czech Republic, Denmark, Estonia, Finland, Former Yugoslav Republic of Macedonia, France, Germany, Greece, Hungary, Iceland, Ireland, Italy, Latvia, Lithuania, Luxembourg, Malta, Netherlands, Norway, Poland, Portugal, Romania, Slovakia, Slovenia, Spain, Sweden, Switzerland, Turkey and United Kingdom.



EUROPEAN COMMITTEE FOR STANDARDIZATION  
COMITÉ EUROPÉEN DE NORMALISATION  
EUROPÄISCHES KOMITEE FÜR NORMUNG

Management Centre: Avenue Marnix 17, B-1000 Brussels

This is a preview of "BS EN 1537:2013". [Click here to purchase the full version from the ANSI store.](#)

## Contents

Page

Foreword.....	4
1 Scope .....	5
2 Normative references .....	7
3 Terms, definitions and symbols.....	7
3.1 Terms and definitions .....	7
3.2 Symbols .....	10
4 Information needed for the execution of the work .....	11
4.1 General.....	11
4.2 Special features .....	11
5 Geotechnical investigation .....	12
5.1 General.....	12
5.2 Specific requirements .....	12
6 Materials and products .....	13
6.1 General.....	13
6.2 Anchor components subject to corrosion protection .....	13
6.2.1 Tendon .....	13
6.2.2 Anchor head .....	14
6.2.3 Coupler .....	14
6.2.4 Tendon bond length .....	14
6.2.5 Components in the borehole .....	14
6.2.6 Compression element of a compression type anchor .....	15
6.3 Corrosion protection of steel tendon and stressed steel components .....	15
6.3.1 General.....	15
6.3.2 Temporary ground anchor .....	15
6.3.3 Permanent ground anchor .....	16
6.4 Grouts for corrosion protection and load transfer.....	16
6.4.1 Cement grout for temporary anchors.....	16
6.4.2 Cement grout for permanent anchors inside encapsulations .....	17
6.4.3 Cement grout for permanent anchors outside encapsulations .....	17
6.4.4 Resin Grout .....	17
6.5 Other components and materials for corrosion protection barriers .....	18
6.5.1 Plastic sheaths and ducts.....	18
6.5.2 Heat shrink sleeves .....	19
6.5.3 Seals.....	19
6.5.4 Corrosion protection compounds based on petroleum, waxes or greases .....	19
6.5.5 Sacrificial metallic coating.....	19
6.5.6 Other coatings on steel parts .....	20
6.5.7 Steel tubes and caps .....	20
6.6 Application of corrosion protection.....	20
6.6.1 General.....	20
6.6.2 Tendon free and bond lengths .....	20
6.6.3 Anchor head .....	21
6.7 Corrosion protection system.....	22
7 Considerations related to design.....	23
8 Execution .....	23
8.1 Drilling of holes.....	23

This is a preview of "BS EN 1537:2013". [Click here to purchase the full version from the ANSI store.](#)

8.1.1	<b>Drilling Methods</b> .....	23
8.1.2	<b>Tolerances</b> .....	24
8.2	<b>Manufacturing, transport, handling and installation of tendons</b> .....	25
8.2.1	<b>Manufacture</b> .....	25
8.2.2	<b>Transport, handling and installation</b> .....	25
8.3	<b>Grouting</b> .....	26
8.3.1	<b>General</b> .....	26
8.3.2	<b>Borehole testing</b> .....	26
8.3.3	<b>Pre-grouting</b> .....	27
8.3.4	<b>Anchor grouting</b> .....	27
8.3.5	<b>Post-grouting</b> .....	28
8.4	<b>Stressing</b> .....	29
8.4.1	<b>General</b> .....	29
8.4.2	<b>Equipment</b> .....	29
8.4.3	<b>Stressing procedure</b> .....	29
8.4.4	<b>Lock off of anchor</b> .....	30
8.4.5	<b>Stressing of anchors with staggered free lengths</b> .....	30
9	<b>Supervision, testing and monitoring</b> .....	30
9.1	<b>General</b> .....	30
9.2	<b>Measurement requirements</b> .....	31
9.3	<b>Datum load</b> .....	31
9.4	<b>Test methods</b> .....	31
9.5	<b>Investigation test</b> .....	31
9.6	<b>Suitability test</b> .....	32
9.7	<b>Acceptance test</b> .....	32
9.8	<b>Evaluation of the apparent tendon free length</b> .....	32
9.9	<b>Supervision of construction and testing</b> .....	33
9.10	<b>Monitoring</b> .....	33
10	<b>Records</b> .....	33
11	<b>Special requirements</b> .....	34
	<b>Annex A (informative) Examples of testing corrosion protection</b> .....	36
	<b>Annex B (informative) Guidelines for acceptance criteria for viscous corrosion protection compounds and examples of standards for the testing of material properties</b> .....	38
	<b>Annex C (informative) Corrosion protection systems for temporary and permanent anchors and typical details for permanent anchor heads</b> .....	39
	<b>Annex D (informative) Example of record sheet</b> .....	45
	<b>Annex E (informative) Obligation of the provisions</b> .....	47
	<b>Bibliography</b> .....	52

This is a preview of "BS EN 1537:2013". [Click here to purchase the full version from the ANSI store.](#)

## Foreword

This document (EN 1537:2013) has been prepared by Technical Committee CEN/TC 288 "Execution of special geotechnical works", the secretariat of which is held by AFNOR.

This European Standard shall be given the status of a national standard, either by publication of an identical text or by endorsement, at the latest by January 2014, and conflicting national standards shall be withdrawn at the latest by January 2014.

Attention is drawn to the possibility that some of the elements of this document may be the subject of patent rights. CEN [and/or CENELEC] shall not be held responsible for identifying any or all such patent rights.

This document supersedes EN 1537:1999.

The remit of CEN/TC 288 is the standardisation of the execution procedures for geotechnical works (including testing and control methods) and of the required material properties. CEN/TC 288/WG 14 has been charged with the revision of EN 1537:1999 in the subject area of ground anchors, which includes all anchors that are bonded to the ground by grout and are stressed and tested.

This standard has been prepared to stand alongside EN 1997-1, *Eurocode 7: Geotechnical design — Part 1: General rules*, and prEN ISO 22477-5, *Geotechnical investigation and testing — Testing of geotechnical structures — Part 5. Design, safety aspects and testing*, which were included as the informative Annexes D and E in the previous issue of this standard (EN 1537:1999), were consequently taken out of this present issue. Clause 7, "Considerations related to design" of this standard deals only with those design matters that should be taken into account during the execution stage of ground anchors so that the design of the anchor system may be fulfilled. In addition, this standard provides full coverage of the construction and supervision requirements.

The revision of this standard was effected by a working group comprising of delegates from ten countries and the comments of these countries have been taken into account. The main amendments are:

- definitions and terminology brought into accordance with the definitions and terminology of EN 1997-1:2004, *Eurocode 7*, in particular with Section 8;
- alignment of this European Standard with prEN ISO 22477-5;
- structural revisions to match the structure of this standard with that of other standards for special geotechnical works, e.g. EN 1536, *Execution of special geotechnical work — Bored piles* and EN 1538, *Execution of special geotechnical work — Diaphragm walls*;
- general revision in accordance with comments received during the CEN Enquiry, 2010;
- update of references.

As long as EN ISO 22477-5 is not available, national solutions should be implemented for the testing of anchors.

According to the CEN-CENELEC Internal Regulations, the national standards organisations of the following countries are bound to implement this European Standard: Austria, Belgium, Bulgaria, Croatia, Cyprus, Czech Republic, Denmark, Estonia, Finland, Former Yugoslav Republic of Macedonia, France, Germany, Greece, Hungary, Iceland, Ireland, Italy, Latvia, Lithuania, Luxembourg, Malta, Netherlands, Norway, Poland, Portugal, Romania, Slovakia, Slovenia, Spain, Sweden, Switzerland, Turkey and the United Kingdom.

This is a preview of "BS EN 1537:2013". Click here to purchase the full version from the ANSI store.

## 1 Scope

1.1 This European Standard covers ground anchors grouted into the ground which are stressed and tested. They can be used for permanent or temporary applications.

NOTE For the purpose of this standard the term 'anchor(s)' refers to 'ground anchor(s)'.

1.2 The anchors are designed in accordance with EN 1997-1 and are tested in accordance with prEN ISO 22477-5.

1.3 Typical bond and compression type anchors are shown in Figure 1 and Figure 2.

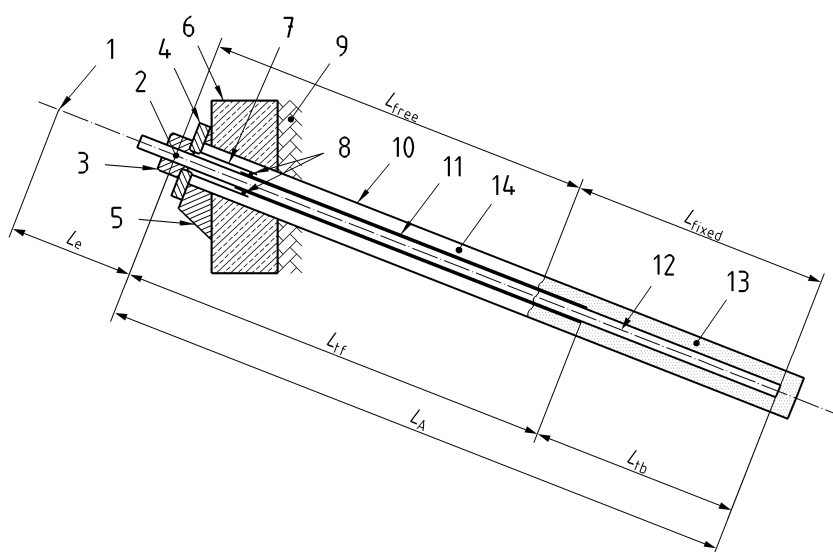
1.4 The term "ground" is taken to encompass soil, rock and fill already in place or existing prior to the execution of the construction work.

1.5 The planning and design of ground anchors calls for experience and knowledge in this specialised field.

1.6 The installation and testing phases require skilled, qualified labour and supervision.

1.7 This standard cannot replace the knowledge of specialist personnel and the expertise of experienced contractors required to apply this standard.

1.8 This standard does not address systems such as tension piles, screw anchors, mechanical anchors, soil nails, dead-man anchors or expander anchors as these do not fulfil the requirements of this standard.



### Key

1	anchorage point at jack during stressing	8	O-Ring
2	anchorage point at anchor head in service	9	soil/rock
3	tensing element at anchor head	10	borehole
4	bearing plate	11	debonding sleeve
5	load transfer block	12	tendon
6	structural element	13	fixed length grout body
7	trumpet or anchor head tube	14	free length filling where appropriate

Figure 1 — Sketch of a bond type ground anchor — Details of anchor head and head protection omitted