

This is a preview of "BS EN 12566-4:2016". [Click here to purchase the full version from the ANSI store.](#)

BS EN 12566-4:2016



BSI Standards Publication

Small wastewater treatment systems for up to 50 PT

Part 4: Septic tanks assembled in situ from prefabricated kits

This is a preview of "BS EN 12566-4:2016". [Click here to purchase the full version from the ANSI store.](#)

This British Standard is the UK implementation of EN 12566-4:2016. It supersedes BS EN 12566-4:2007 which is withdrawn.

The UK participation in its preparation was entrusted to Technical Committee B/505, Wastewater engineering.

A list of organizations represented on this committee can be obtained on request to its secretary.

This publication does not purport to include all the necessary provisions of a contract. Users are responsible for its correct application.

© The British Standards Institution 2016. Published by BSI Standards Limited 2016

ISBN 978 0 580 91478 2

ICS 13.060.30

Compliance with a British Standard cannot confer immunity from legal obligations.

This British Standard was published under the authority of the Standards Policy and Strategy Committee on 30 September 2016.

Amendments issued since publication

Date	Text affected
------	---------------

This is a preview of "BS EN 12566-4:2016". [Click here to purchase the full version from the ANSI store.](#)

EUROPÄISCHE NORM

August 2016

ICS 13.060.30

Supersedes EN 12566-4:2007

English Version

Small wastewater treatment systems for up to 50 PT - Part 4: Septic tanks assembled in situ from prefabricated kits

Petites installations de traitement des eaux usées
jusqu'à 50 PTE - Partie 4: Fosses septiques assemblées
sur site en kit d'éléments préfabriquées

Kleinkläranlagen für bis zu 50 EW - Teil 4: Bausätze für
vor Ort einzubauende Faulgruben

This European Standard was approved by CEN on 25 June 2016.

CEN members are bound to comply with the CEN/CENELEC Internal Regulations which stipulate the conditions for giving this European Standard the status of a national standard without any alteration. Up-to-date lists and bibliographical references concerning such national standards may be obtained on application to the CEN-CENELEC Management Centre or to any CEN member.

This European Standard exists in three official versions (English, French, German). A version in any other language made by translation under the responsibility of a CEN member into its own language and notified to the CEN-CENELEC Management Centre has the same status as the official versions.

CEN members are the national standards bodies of Austria, Belgium, Bulgaria, Croatia, Cyprus, Czech Republic, Denmark, Estonia, Finland, Former Yugoslav Republic of Macedonia, France, Germany, Greece, Hungary, Iceland, Ireland, Italy, Latvia, Lithuania, Luxembourg, Malta, Netherlands, Norway, Poland, Portugal, Romania, Slovakia, Slovenia, Spain, Sweden, Switzerland, Turkey and United Kingdom.



EUROPEAN COMMITTEE FOR STANDARDIZATION
COMITÉ EUROPÉEN DE NORMALISATION
EUROPÄISCHES KOMITEE FÜR NORMUNG

CEN-CENELEC Management Centre: Avenue Marnix 17, B-1000 Brussels

This is a preview of "BS EN 12566-4:2016". [Click here to purchase the full version from the ANSI store.](#)

Contents	Page
European foreword.....	4
1 Scope.....	6
2 Normative references.....	6
3 Terms and definitions	6
4 Product characteristics.....	7
5 Testing, assessment and sampling methods.....	7
6 Assessment and verification of constancy of performance – AVCP.....	7
6.1 General.....	7
6.2 Type testing.....	7
6.2.1 General.....	7
6.2.2 Test samples, testing and compliance criteria.....	8
6.2.3 Test reports.....	10
6.2.4 Shared other party results.....	10
6.2.5 Cascading determination of the product type results	10
6.3 Factory production control	11
6.3.1 General.....	11
6.3.2 Requirements.....	12
6.3.3 Product specific requirements.....	15
6.3.4 Initial inspection of factory and of FPC	15
6.3.5 Continuous surveillance of FPC.....	16
6.3.6 Procedure for modifications	16
6.3.7 One-off products, pre-production products (e.g. prototypes) and products produced in very low quantity	16
7 Classification and designation.....	17
8 Marking, labelling and packaging.....	17
8.1 Marking.....	17
8.2 Installation instructions.....	17
8.3 Operating and maintenance instructions.....	18
Annex ZA (informative) Clauses of this European Standard addressing the provisions of the EU Construction Products Regulation	19
ZA.1 Scope and relevant characteristics.....	19
ZA.2 Procedure of attestation of conformity of prefabricated septic plants.....	20
ZA.2.1 System(s) of AVCP	20
ZA.2.2 Declaration of performance (DoP)	23
ZA.2.2.1 General.....	23
ZA.2.2.2 Content.....	23
ZA.2.2.3 Example of DoP.....	24
ZA.3 CE marking and labelling	26

This is a preview of "BS EN 12566-4:2016". [Click here to purchase the full version from the ANSI store.](#)

Bibliography 29

This is a preview of "BS EN 12566-4:2016". [Click here to purchase the full version from the ANSI store.](#)

European foreword

This document (EN 12566-4:2016) has been prepared by Technical Committee CEN/TC 165 "Wastewater engineering", the secretariat of which is held by DIN.

This European Standard shall be given the status of a national standard, either by publication of an identical text or by endorsement, at the latest by February 2017, and conflicting national standards shall be withdrawn at the latest by May 2018.

Attention is drawn to the possibility that some of the elements of this document may be the subject of patent rights. CEN [and/or CENELEC] shall not be held responsible for identifying any or all such patent rights.

This document supersedes EN 12566-4:2007.

This document has been prepared under a mandate given to CEN by the European Commission and the European Free Trade Association, and supports essential requirements of EU Directive(s).

For relationship with EU Directive(s), see informative Annex ZA, which is an integral part of this document.

The differences between this version and EN 12566-4:2007 are mainly editorial changes according to the Construction Product Regulation (CPR).

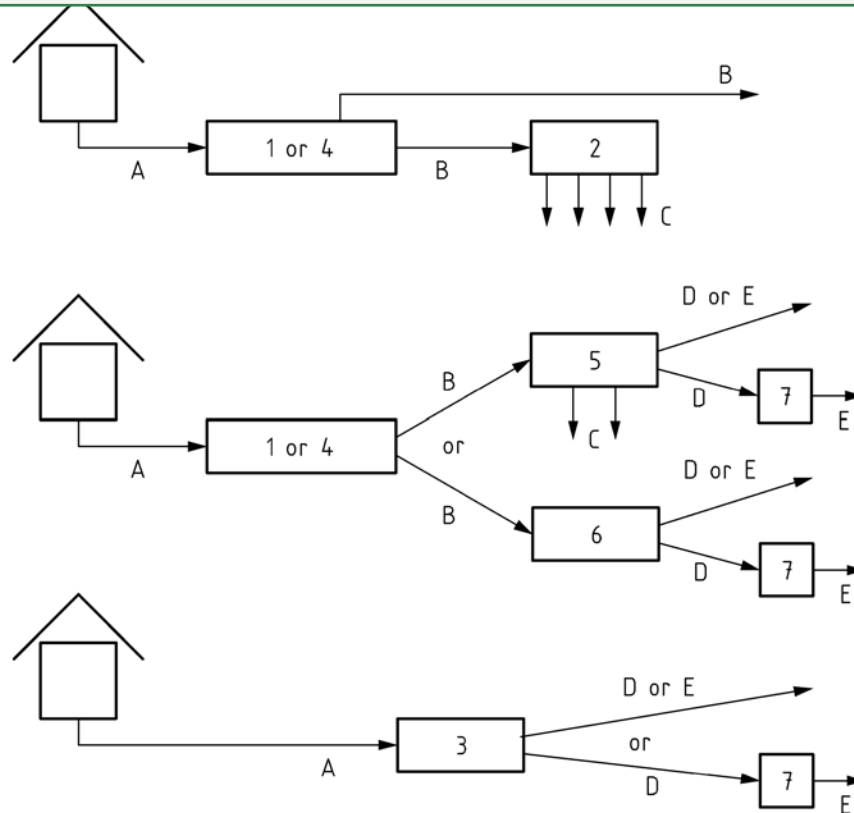
The standard series EN 12566 "Small wastewater treatment systems for up to 50 PT" contains the following parts (see Figure 1):

- *Part 1: Prefabricated septic tanks;*
- *Part 3: Packaged and/or site assembled domestic wastewater treatment plants;*
- *Part 4: Septic tanks assembled in situ from prefabricated kits (this document);*
- *Part 6: Prefabricated treatment unit used for septic tank effluent;*
- *Part 7: Prefabricated tertiary treatment unit.*

For filtration systems, CEN/TC 165 decided to publish the following CEN Technical reports, which are considered as Code of practices and do not specify treatment requirements:

- *Part 2: Soil infiltration systems;*
- *Part 5: Pre-treated Effluent Filtration systems.*

This is a preview of "BS EN 12566-4:2016". Click here to purchase the full version from the ANSI store.



Key

- | | | | |
|---|------------------------------|---|--|
| A | domestic wastewater | 1 | prefabricated septic tank |
| B | septic tank effluent | 2 | soil infiltration system |
| C | treated infiltrated effluent | 3 | packaged and/or site assembled domestic wastewater treatment plant |
| D | treated wastewater | 4 | septic tank assembled <i>in situ</i> from prefabricated kit |
| E | tertiary treated wastewater | 5 | pre-treated effluent filtration system |
| | | 6 | prefabricated treatment unit used for septic tank effluent |
| | | 7 | prefabricated tertiary treatment unit |

National regulations may specify different arrangements between the products described in the standard series EN 12566.

Figure 1 — Scheme related to the arrangement of the parts of EN 12566

According to the CEN/CENELEC Internal Regulations, the national standards organizations of the following countries are bound to implement this European Standard: Austria, Belgium, Bulgaria, Croatia, Cyprus, Czech Republic, Denmark, Estonia, Finland, Former Yugoslav Republic of Macedonia, France, Germany, Greece, Hungary, Iceland, Ireland, Italy, Latvia, Lithuania, Luxembourg, Malta, Netherlands, Norway, Poland, Portugal, Romania, Slovakia, Slovenia, Spain, Sweden, Switzerland, Turkey and the United Kingdom.

This is a preview of "BS EN 12566-4:2016". [Click here to purchase the full version from the ANSI store.](#)

1 Scope

This European Standard specifies the requirements for septic tanks assembled *in situ* from prefabricated kits and ancillary equipment where applicable, used outside buildings for the partial treatment of domestic wastewater for a population up to 50 PT. Pipe sizes, loads, watertightness, marking and evaluation of conformity are specified.

This European Standard does not apply to septic tanks receiving grey water only.

2 Normative references

The following documents, in whole or in part, are normatively referenced in this document and are indispensable for its application. For dated references, only the edition cited applies. For undated references, the latest edition of the referenced document (including any amendments) applies.

EN 681-1, *Elastomeric seals — Materials requirements for pipe joint seals used in water and drainage applications — Part 1: Vulcanized rubber*

EN 12566-1:2016, *Small wastewater treatment systems for up to 50 PT — Part 1: Prefabricated septic tanks*

EN 16323:2014, *Glossary of wastewater engineering terms*

3 Terms and definitions

For the purposes of this document, the terms and definitions given in EN 12566-1:2016, EN 16323:2014 and the following apply.

3.1

kit

complete set of components provided by a single manufacturer and assembled on its permanent site from a kit in order to form a septic tank

3.2

ancillary equipment

pipe connections and internal components that are part of the septic tank kit

3.3

product family

group of products in which, for the purpose of evaluation, the selected property(s) is/are similar for all products within the group

Note 1 to entry: The definition of family takes into account at least similar shape, equipment, materials and conditions of end use and ensures the minimum hydraulic efficiency and minimum structural behaviour for all the products in the range.

Note 2 to entry: The minimum level of performance (hydraulic efficiency and structural behaviour) are given by the test carried out on one model of the family.