

# ANSI/CEA Standard

## DTV 1394 Interface Specification

### ANSI/CEA-775-C R-2013

September 2008



**CEA**<sup>®</sup>  
Consumer Electronics Association  
[www.CE.org](http://www.CE.org)

## NOTICE

Consumer Electronics Association (CEA<sup>®</sup>) Standards, Bulletins and other technical publications are designed to serve the public interest through eliminating misunderstandings between manufacturers and purchasers, facilitating interchangeability and improvement of products, and assisting the purchaser in selecting and obtaining with minimum delay the proper product for his particular need. Existence of such Standards, Bulletins and other technical publications shall not in any respect preclude any member or nonmember of CEA from manufacturing or selling products not conforming to such Standards, Bulletins or other technical publications, nor shall the existence of such Standards, Bulletins and other technical publications preclude their voluntary use by those other than CEA members, whether the standard is to be used either domestically or internationally.

Standards, Bulletins and other technical publications are adopted by CEA in accordance with the American National Standards Institute (ANSI) patent policy. By such action, CEA does not assume any liability to any patent owner, nor does it assume any obligation whatever to parties adopting the Standard, Bulletin or other technical publication.

This document does not purport to address all safety problems associated with its use or all applicable regulatory requirements. It is the responsibility of the user of this document to establish appropriate safety and health practices and to determine the applicability of regulatory limitations before its use.

This document is copyrighted by the Consumer Electronics Association (CEA<sup>®</sup>) and may not be reproduced, in whole or part, without written permission. Federal copyright law prohibits unauthorized reproduction of this document by any means. Organizations may obtain permission to reproduce a limited number of copies by entering into a license agreement. Requests to reproduce text, data, charts, figures or other material should be made to CEA.

(Formulated under the cognizance of the CEA **R4.8 DTV Interface Subcommittee**.)

Published by  
©CONSUMER ELECTRONICS ASSOCIATION 2013  
Technology & Standards Department  
[www.CE.org](http://www.CE.org)

All rights reserved

## Contents

<b>1 Scope 1</b>	
<b>1.1 Background.....</b>	<b>1</b>
<b>2 References.....</b>	<b>4</b>
<b>2.1 Normative References.....</b>	<b>4</b>
<b>2.1.1 Normative Reference List .....</b>	<b>4</b>
<b>2.1.2 Normative Reference Acquisition.....</b>	<b>5</b>
<b>2.2 Informative References.....</b>	<b>6</b>
<b>2.2.1 Informative Reference List .....</b>	<b>6</b>
<b>2.2.2 Informative Reference Acquisition .....</b>	<b>6</b>
<b>3 Definitions.....</b>	<b>6</b>
<b>4 Symbols and Abbreviations.....</b>	<b>8</b>
<b>5 Compliance Notation .....</b>	<b>8</b>
<b>6 System Overview .....</b>	<b>9</b>
<b>6.1 Digital TV Video Processing.....</b>	<b>9</b>
<b>6.2 On-Screen Display.....</b>	<b>9</b>
<b>6.2.1 Analog OSD.....</b>	<b>9</b>
<b>6.2.2 Digital OSD.....</b>	<b>9</b>
<b>6.2.2.1 OSD Delivery .....</b>	<b>9</b>
<b>6.2.2.2 OSD Transmission.....</b>	<b>10</b>
<b>6.2.2.3 DTV OSD Processing.....</b>	<b>10</b>
<b>6.3 Discovery of Capability .....</b>	<b>10</b>
<b>6.4 User-Machine Control .....</b>	<b>10</b>
<b>7 Miscellaneous Requirements .....</b>	<b>10</b>
<b>7.1 Digital Interface Physical layer.....</b>	<b>10</b>
<b>7.2 Digital Interface Link layer.....</b>	<b>10</b>
<b>7.3 Digital Interface Transaction layer.....</b>	<b>10</b>
<b>7.4 Serial Bus Management .....</b>	<b>11</b>
<b>7.5 Command and Status Registers .....</b>	<b>11</b>
<b>7.5.1 CSR Core Registers .....</b>	<b>11</b>
<b>7.5.2 Serial Bus Node Registers .....</b>	<b>11</b>
<b>7.5.3 Configuration ROM Requirements .....</b>	<b>11</b>
<b>7.5.3.1 IEC 61883 Unit directory.....</b>	<b>11</b>
<b>7.5.3.2 CEA Unit Directory.....</b>	<b>11</b>
<b>7.6 Real Time Transmission of MPEG-2 Transport Streams.....</b>	<b>11</b>
<b>7.7 Isochronous Data Flow Management.....</b>	<b>11</b>
<b>7.8 Connection Management Procedures (CMP) .....</b>	<b>11</b>
<b>7.8.1 Isochronous Connection Procedures .....</b>	<b>11</b>
<b>7.9 Asynchronous Connection Management .....</b>	<b>12</b>
<b>7.10 Function Control Protocol (FCP) .....</b>	<b>12</b>
<b>7.11 External Jack Selection .....</b>	<b>12</b>
<b>7.12 Content Advisory Information.....</b>	<b>13</b>
<b>7.13 Content Protection .....</b>	<b>13</b>
<b>8 Delivery of OSD Data .....</b>	<b>13</b>
<b>8.1 Introduction.....</b>	<b>14</b>
<b>8.2 Data Transfers .....</b>	<b>14</b>
<b>8.3 Data Access Constraints .....</b>	<b>14</b>
<b>8.4 Asynchronous Plug Components.....</b>	<b>14</b>
<b>8.5 Flow Control Registers .....</b>	<b>14</b>

8.5.1 iAPR Format.....	14
8.5.1.1 iAPR.modes Values .....	15
8.5.2 oAPR Format.....	15
8.5.2.1 oAPR.modes Values .....	15
8.6 Asynchronous Communications .....	15
8.6.1 Suspended Connection .....	15
8.6.2 Suspend/Resume Asynchronous Connections States .....	15
8.6.3 Heartbeat Indications .....	15
8.7 Frame and Subframe Format.....	15
8.8 AV/C Managed Connection Sequences .....	15
8.9 AV/C Connection Management Commands .....	16
8.9.1 Reserved command frame fields .....	16
8.9.2 Command Frames .....	16
8.9.3 Command Frame Values .....	16
8.10 AV/C Connection Command Format .....	18
8.10.1 ALLOCATE_ATTACH .....	18
8.10.2 DETACH_RELEASE .....	18
8.10.3 RESTORE_PORT .....	18
8.10.4 STATUS Command .....	18
9 AV/C Command Set Support .....	18
9.1 AV/C General Commands .....	18
9.2 AV/C Asynchronous Connection Subfunctions.....	19
10 OSD Data.....	19
10.1 OSD Subframes .....	19
10.2 Alignment of OSD with video .....	19
10.3 Behavior of System during Attach.....	19
10.4 Behavior of System during Suspend / Resume .....	19
11 Isochronous Data.....	20
11.1 Service Selection .....	20
11.2 MPEG-2 Transport Streams.....	21
11.2.1 Source Alteration of MPEG Programs .....	22
11.2.2 Non-MPEG Transport.....	22
11.2.3 MPEG Stills .....	22
11.3 DV Streams.....	22
12 Discovery Information .....	22
12.1 IEEE 1212 Configuration ROM .....	22
12.1.1 EUI_64.....	23
12.1.2 Bus Information Block .....	23
12.1.3 Root Directory.....	23
12.1.4 Unit Directory.....	24
12.1.4.1 Unit Directory (IEC 61883-1) .....	24
12.1.4.2 Unit Directory (CEA-775-C).....	25
12.1.5 Vendor Directory .....	25
12.2 Configuration ROM Discovery .....	25
12.2.1 General Purpose Information.....	26
12.2.2 Model Information .....	26
12.2.3 CEA-775 Unit Directory Information.....	26
12.3 Unit Identifier Descriptor .....	26
12.3.1 General unit identifier descriptor .....	29
12.3.2 Unit dependent information .....	29
12.3.3 Unit Info Blocks .....	30
12.3.4 CEA-775 plug info .....	31
12.3.5 CEA 775 DTV Info .....	33

<b>CEA Profile A</b> .....	<b>35</b>
<b>12.3.6 CEA-775 External Jack Plug Info</b> .....	<b>43</b>
<b>12.3.6.1 External Jack Type Specific Data — Input Plug</b> .....	<b>44</b>
<b>12.3.6.2 External Jack Type Specific Data - Output Plug</b> .....	<b>48</b>
<b>12.3.6.3 External Jack Type Specific Data – Single Input Plug and Single Output Plug</b> .....	<b>48</b>
<b>12.3.7 Minimum descriptor definition for DTV</b> .....	<b>50</b>
<b>Annex A Operational Scenarios (Informative)</b> .....	<b>56</b>
<b>A.1 User-Machine Control</b> .....	<b>56</b>
<b>A.2 DTV Control</b> .....	<b>56</b>
<b>A.3 STB OSD Control</b> .....	<b>56</b>
<b>A.4 STB Operational Control</b> .....	<b>56</b>
<b>A.5 Program a Timed Recording Event on a DVCR using an Internal Tuner</b> .....	<b>56</b>
<b>A.6 Program a Timed Recording Event on a DVCR using an External Tuner</b> .....	<b>56</b>
<b>A.7 Recording a Program Received on a STB while being Displayed on the DTV</b> .....	<b>57</b>
<b>Annex B IEEE 1212 Key Identifiers (Informative)</b> .....	<b>58</b>
<b>Annex C Asynchronous Connections State Machine (Normative)</b> .....	<b>59</b>
<b>C.1 Producer Data-Transfer State Machine</b> .....	<b>59</b>
<b>C.2 Consumer Data-Transfer State Machines</b> .....	<b>66</b>
<b>C.3 State Machine Transitions</b> .....	<b>72</b>
<b>Annex D Configuration ROM Example (Informative)</b> .....	<b>76</b>

## Figures

Figure 1 Typical NTSC System .....	1
Figure 2 Equivalent DTV System.....	2
Figure 3 Typical DTV Implementation.....	3
Figure 4 User-Machine Control Loop.....	10
Figure 5 Unit Identifier Descriptor Structure.....	28
Figure 6 Unit Dependent Information.....	30
Figure 7 CEA Unit Info Block.....	30
Figure 8 CEA-775 Plug Info.....	31
Figure 9 CEA-775 DTV Info .....	34
Figure 10 Alignment data .....	41
Figure 11 - External Jack Descriptor .....	45
Figure 12 - Informative Example of External Jack Descriptor.....	46
Figure 13 - Informative Example CEA-775 External Jack Plug Info Block – Input Plug Type.....	47
Figure 14 - CEA-775 External Jack Type Specific Data – Output Plug.....	48
Figure 15 - Informative Example CEA-775 External Jack Plug Info Block – Output Plug Type.....	48
Figure 16 - CEA-775 External Jack Type Specific Data – Input & Output Plug Type.....	49
Figure 17 – Informative Example CEA-775 External Jack Plug Info Block – Input & Output Plug Info (part).....	49
Figure 18 Minimum Descriptor Example (Part).....	52
Figure 19 Producer State Machine.....	60
Figure 20 Consumer State Machine.....	68
Figure 21 Example Configuration ROM .....	77

## Tables

Table 1 Plug Control Register Location .....	11
Table 2 Subfunction Field Definitions.....	16
Table 3 Supported Commands .....	18
Table 4 Subfunction Field Definitions.....	19
Table 5 Configuration ROM.....	23
Table 6 IEC_61883 Unit Directory.....	25
Table 7 CEA-775 Unit Directory .....	25
Table 8 Vendor Directory.....	25
Table 9 CEA-Defined Info Block TypeCode Definition.....	31
Table 10 Transport Stream Format .....	32
Table 11 CEA_DTV_profile_level Format Coding .....	35
Table 12 Capability Profiles—General Features .....	35
Table 13 Capability Profiles—OSD Related Features (part) .....	36
Table 14 OSD Formats Supported Field Coding (part) .....	38
Table 15 Miscellaneous Features Field Coding .....	39
Table 16 Default Video Format Coding .....	40
Table 17 Example Scan Conversion and OSD Alignment .....	42
Table 18 Preferred OSD Layout Encoding.....	43
Table 19 External Plug Type Definition.....	43
Table 20 External Jack Type Specific Data—Input Plug .....	44
Table 21 - External Jack Type Definition .....	44
Table 22 IEEE 1212Key Identifier Name Equivalents .....	58
Table 23 Directory Entry Types (Informative) (from IEEE-1212:2001) .....	77
Table 24 Key Definitions (Informative).....	78

## FOREWORD

Users of CEA-775-C should be aware that ongoing standardization work in the 1394 Trade Association may have a future impact on CEA-775-C. CEA has stated its intention to harmonize its standard with those developed within the 1394 Trade Association, and likewise the TA has indicated its willingness to coordinate standards development with CEA.

CEA-775-C supersedes EIA-775-A, CEA-775-A, and CEA-775-B.

(This page intentionally left blank.)

## DTV 1394 Interface Specification

### 1 Scope

CEA-775-C defines mechanisms to allow a source of MPEG service, such as a cable or terrestrial set-top box, digital VCR, or DTV to utilize the MPEG decoding and display capabilities in a DTV. A method is included to allow the OSD Producer to supply bitmap graphic overlays for blending and composition in the DTV over decoded video.

CEA-775-C supports an optional baseband analog audio/video connection between an audio/video source device and the DTV. Mechanisms are provided to allow the source device to control the selection of the audio/video source for display in the DTV between an MPEG service decoded in the DTV and incoming analog audio/video supplied to it via an external input.

Nothing in CEA-775-C is intended to constrain the use of other 1394-based protocols.

### 1.1 Background

The currently implemented analog audio/video home entertainment cluster consists of various signal sources and various display devices. Possible audio/video sources in this system include a video cassette recorder, a DVD player, and a DBS or cable set top box. In the analog system the audio/video source can overlay its graphical user interface on its output video as shown in Figure 1. This allows the user to control the source based on information shown on the TV display.

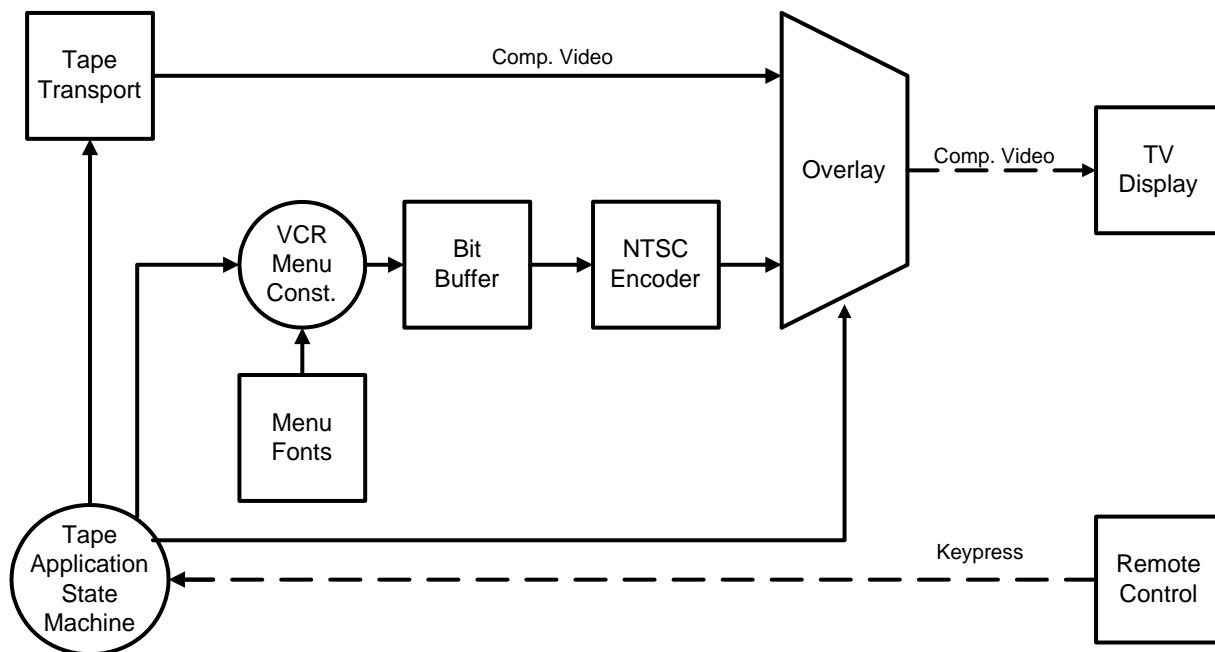


Figure 1 Typical NTSC System

A Digital Television (DTV) system using a similar model is not currently practical. Figure 2 shows an example of what would be required. The process of decoding the original bitstream to include the GUI overlay and then re-encoding for transmission to the DTV adds significant complexity and usually degrades picture quality.