

This is a preview of "DS/EN 12255-4:2023". [Click here to purchase the full version from the ANSI store.](#)

# Spildevandsrensningsanlæg – Del 4: Primær behandling

Wastewater treatment plants –  
Part 4: Primary treatment

**DANSK STANDARD**  
Danish Standards Association

Göteborg Plads 1  
DK-2150 Nordhavn

Tel: +45 39 96 61 01  
dansk.standard@ds.dk  
www.ds.dk

This is a preview of "DS/EN 12255-4:2023". [Click here to purchase the full version from the ANSI store.](#)

DS projekt: M351387

ICS: 13.060.30

**Første del af denne publikations betegnelse er:**

**DS/EN, hvilket betyder, at det er en europæisk standard, der har status som dansk standard.**

**Denne publikations overensstemmelse er:**

**IDT med: EN 12255-4:2023**

**DS-publikationen er på engelsk.**

**Denne publikation erstatter: [DS/EN 12255-4:2002](#)**

---

I tilfælde af redaktionelle fejl i DS-publikationen kan der skrives til:

[editorial-mistakes@ds.dk](mailto:editorial-mistakes@ds.dk)

**ADVARSEL:** DS-publikationer revideres over tid. Derudover kan sådanne publikationer ændres ved rettelserblade og/eller tillæg. Der kan også udgives rettelserblade, der udelukkende angår oversættelsen af en publikation. Det er derfor vigtigt at sikre sig, at man benytter en gældende udgave, medmindre fx lovgivning kræver andet. Den enkelte publikations status fremgår af <https://webshop.ds.dk/>. Her kan man desuden tilmelde sig en gratis notifikationservice og følge en udgivet DS-publikations udvikling ved at klikke på "Følg standarden".

En oversigt over forskellige DS-publikationstyper og -betegnelser findes her:

<https://www.ds.dk/publikationstyper>.

This is a preview of "DS/EN 12255-4:2023". [Click here to purchase the full version from the ANSI store.](#)

EUROPÄISCHE NORM

March 2023

ICS 13.060.30

Supersedes EN 12255-4:2002

English Version

## Wastewater treatment plants - Part 4: Primary treatment

Stations d'épuration - Partie 4 : Traitement primaire

Kläranlagen - Teil 4: Vorklärung

This European Standard was approved by CEN on 9 January 2023.

CEN members are bound to comply with the CEN/CENELEC Internal Regulations which stipulate the conditions for giving this European Standard the status of a national standard without any alteration. Up-to-date lists and bibliographical references concerning such national standards may be obtained on application to the CEN-CENELEC Management Centre or to any CEN member.

This European Standard exists in three official versions (English, French, German). A version in any other language made by translation under the responsibility of a CEN member into its own language and notified to the CEN-CENELEC Management Centre has the same status as the official versions.

CEN members are the national standards bodies of Austria, Belgium, Bulgaria, Croatia, Cyprus, Czech Republic, Denmark, Estonia, Finland, France, Germany, Greece, Hungary, Iceland, Ireland, Italy, Latvia, Lithuania, Luxembourg, Malta, Netherlands, Norway, Poland, Portugal, Republic of North Macedonia, Romania, Serbia, Slovakia, Slovenia, Spain, Sweden, Switzerland, Türkiye and United Kingdom.



EUROPEAN COMMITTEE FOR STANDARDIZATION  
COMITÉ EUROPÉEN DE NORMALISATION  
EUROPÄISCHES KOMITEE FÜR NORMUNG

CEN-CENELEC Management Centre: Avenue Marnix 17, B-1000 Brussels

This is a preview of "DS/EN 12255-4:2023". [Click here to purchase the full version from the ANSI store.](#)

<b>Contents</b>	Page
<b>European foreword</b> .....	<b>3</b>
<b>Introduction</b> .....	<b>5</b>
<b>1 Scope</b> .....	<b>6</b>
<b>2 Normative references</b> .....	<b>6</b>
<b>3 Terms and definitions</b> .....	<b>6</b>
<b>4 Symbols and abbreviations</b> .....	<b>7</b>
<b>5 Requirements</b> .....	<b>7</b>
5.1 General .....	7
5.2 Planning.....	8
5.2.1 Required Data and Information .....	8
5.2.2 Advantages and Disadvantages of Primary Treatment Systems.....	9
5.2.3 Performance .....	10
5.3 Design .....	11
5.3.1 General.....	11
5.3.2 Specifications .....	12
5.3.3 Required Capacity.....	12
5.3.4 Systems for primary treatment.....	12
5.3.5 Materials .....	15
5.3.6 Control and Automation.....	16
5.3.7 Operation and Maintenance .....	16
5.3.8 Health and Safety .....	16
<b>Annex A (informative) Illustrations of typical clarifiers</b> .....	<b>17</b>
<b>Annex B (normative) Dimensions and tolerances for the structures of clarifiers</b> .....	<b>25</b>
<b>Bibliography</b> .....	<b>26</b>

This is a preview of "DS/EN 12255-4:2023". [Click here to purchase the full version from the ANSI store.](#)

## European foreword

This document ([EN 12255-4:2023](#)) has been prepared by Technical Committee CEN/TC 165 "Waste water engineering", the secretariat of which is held by DIN.

This European Standard shall be given the status of a national standard, either by publication of an identical text or by endorsement, at the latest by September 2023, and conflicting national standards shall be withdrawn at the latest by September 2023.

Attention is drawn to the possibility that some of the elements of this document may be the subject of patent rights. CEN shall not be held responsible for identifying any or all such patent rights.

This document supersedes [EN 12255-4:2002](#).

It is the fourth part prepared by the Working Group CEN/TC 165/WG 40 relating to the general requirements and processes for treatment plants for a total number of inhabitants and population equivalents (PT) over 50.

The [EN 12255 series](#), *Wastewater treatment plants*, consists of the following parts:

- *Part 1: General construction principles*
- *Part 2: Storm management systems*
- *Part 3: Preliminary treatment*
- *Part 4: Primary treatment*
- *Part 5: Lagooning processes*
- *Part 6: Activated sludge process*
- *Part 7: Biological fixed-film reactors*
- *Part 8: Sludge treatment and storage*
- *Part 9: Odour control and ventilation*
- *Part 10: Safety principles*
- *Part 11: General data required*
- *Part 12: Control and automation*
- *Part 13: Chemical treatment — Treatment of wastewater by precipitation/flocculation*
- *Part 14: Disinfection*
- *Part 15: Measurement of the oxygen transfer in clean water in aeration tanks of activated sludge plants*
- *Part 16: Physical (mechanical) filtration*

NOTE 1 Part 2 is under preparation.

NOTE 2 For requirements on pumping installations at wastewater treatment plants, see [EN 752](#), *Drain and sewer systems outside buildings — Sewer system management* and [EN 16932 \(all parts\)](#), *Drain and sewer systems outside buildings — Pumping systems*.

Any feedback and questions on this document should be directed to the users' national standards body. A complete listing of these bodies can be found on the CEN website.

According to the CEN-CENELEC Internal Regulations, the national standards organisations of the following countries are bound to implement this European Standard: Austria, Belgium, Bulgaria,

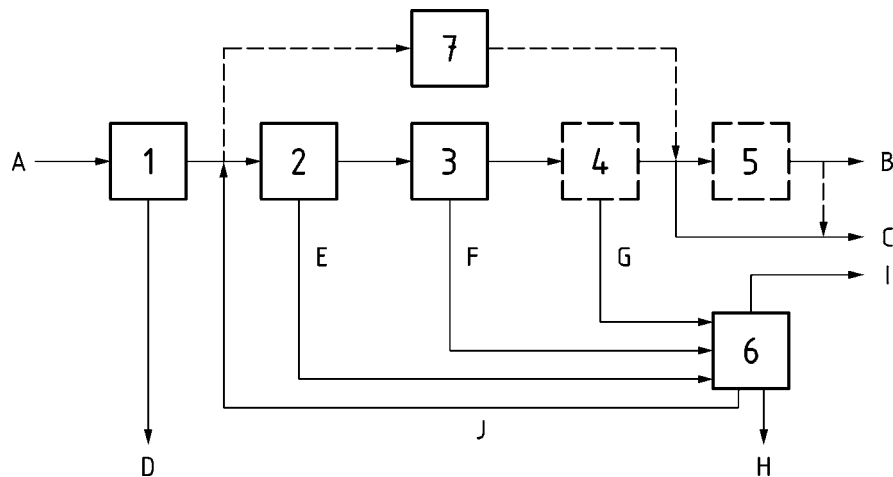
This is a preview of "DS/EN 12255-4:2023". [Click here to purchase the full version from the ANSI store.](#)

Croatia, Cyprus, Czech Republic, Denmark, Estonia, Finland, France, Germany, Greece, Hungary, Iceland, Ireland, Italy, Latvia, Lithuania, Luxembourg, Malta, Netherlands, Norway, Poland, Portugal, Republic of North Macedonia, Romania, Serbia, Slovakia, Slovenia, Spain, Sweden, Switzerland, Türkiye and the United Kingdom.

This is a preview of "DS/EN 12255-4:2023". Click here to purchase the full version from the ANSI store.

## Introduction

Differences in wastewater treatment throughout Europe have led to a variety of systems being developed. This document gives fundamental information about the systems; this document has not attempted to specify all available systems. A generic arrangement of wastewater treatment plants is illustrated below in [Figure 1](#):



### Key

- 1 preliminary treatment
- 2 primary treatment
- 3 secondary treatment
- 4 tertiary treatment
- 5 additional treatment (e.g. disinfection or removal of micropollutants)
- 6 sludge treatment
- 7 lagoons (as an alternative)
- A raw wastewater
- B effluent for re-use (e.g. irrigation)
- C discharged effluent
- D screenings and grit
- E primary sludge
- F secondary sludge
- G tertiary sludge
- H stabilized sludge
- I digester gas
- J returned water from dewatering

**Figure 1 — Schematic diagram of wastewater treatment plants**

Detailed information additional to that contained in this document can be obtained by referring to the bibliography.

The primary application is for wastewater treatment plants designed for the treatment of domestic and municipal wastewater.

This is a preview of "DS/EN 12255-4:2023". [Click here to purchase the full version from the ANSI store.](#)

# Wastewater treatment plants –

## Part 4: Primary treatment

### 1 Scope

This document specifies the design requirements for plant and equipment to remove solids, other than screenings and grit, from raw wastewater, at wastewater treatment plants for over 50 PT.

It includes primary treatment with sedimentation, fine screens and micro-screens.

NOTE 1 The removal of screenings and grit is covered in [EN 12255-3](#).

NOTE 2 Dissolved air flotation (DAF) is not covered in detail in this document because it is not commonly used for primary treatment in municipal wastewater treatment plants. It can be used for primary treatment of industrial wastewater, but then the design is specific to the application.

### 2 Normative references

The following documents are referred to in the text in such a way that some or all of their content constitutes requirements of this document. For dated references, only the edition cited applies. For undated references, the latest edition of the referenced document (including any amendments) applies.

[EN 12255-1](#), *Wastewater treatment plants – Part 1: General construction principles*

[EN 12255-10](#), *Wastewater treatment plants – Part 10: Safety principles*

[EN 16323:2014](#), *Glossary of wastewater engineering terms*