

# Elektriske lavspændingsinstallationer – Del 5-53: Valg og installation af elektrisk materiel – Koblingsudstyr

Low-voltage electrical installations – Part 5-53:  
Selection and erection of electrical equipment –  
Switchgear and controlgear

**DANSK STANDARD**  
Danish Standards Association

Göteborg Plads 1  
DK-2150 Nordhavn

Tel: +45 39 96 61 01  
[dansk.standard@ds.dk](mailto:dansk.standard@ds.dk)  
[www.ds.dk](http://www.ds.dk)

This is a preview of DS/HD 60364-5-53:2022/AC:2025. Click here to purchase the full version from the ANSI store.

DS projekt: M394808  
ICS: 29.120.50; 91.140.50

**Første del af denne publikations betegnelse er:**  
DS/HD, hvilket betyder, at det er en europæisk harmoniseringsdokument, der har status som dansk standard.

**Denne publikations overensstemmelse er:**  
IDT med: HD 60364-5-53:2022/AC:2025-07

DS-publikationen er på engelsk.

---

I tilfælde af redaktionelle fejl i DS-publikationen kan der skrives til:  
[editorial-mistakes@ds.dk](mailto:editorial-mistakes@ds.dk)

**ADVARSEL:** DS-publikationer revideres over tid. Derudover kan sådanne publikationer ændres ved rettelserblade og/eller tillæg. Der kan også udgives rettelserblade, der udelukkende angår oversættelsen af en publikation. Det er derfor vigtigt at sikre sig, at man benytter en gældende udgave, medmindre fx lovgivning kræver andet. Den enkelte publikations status fremgår af <https://webshop.ds.dk/>. Her kan man desuden tilmelde sig en gratis notifikationservice og følge en udgivet DS-publikations udvikling ved at klikke på "Følg standarden".

En oversigt over forskellige DS-publikationstyper og -betegnelser findes her:  
<https://www.ds.dk/publikationstyper>.

This is a preview of DS/HD 60364-5-53:2022/AC:2025. Click here to purchase the full version from the ANSI store.



Corrigendum to HD 60364-5-53:2022

English version

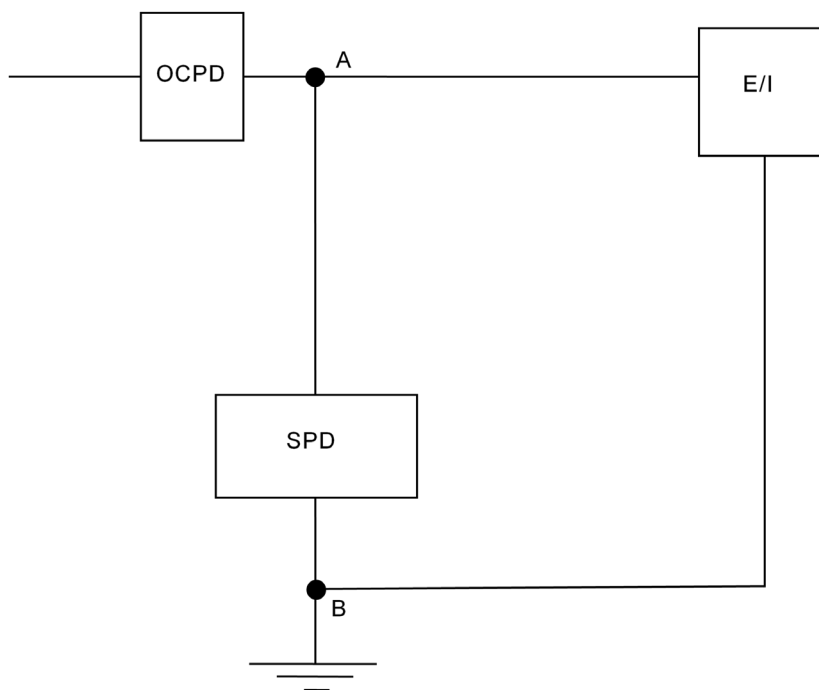
Add the following modifications to HD 60364-5-53:2022:

**In 534.4.4.2 Selection of voltage protection level ( $U_p$ ) as a function of equipment rated impulse voltage ( $U_w$ ), replace the second paragraph with the following:**

“Where protection between line conductors and PE is provided by a series connection of SPD protection modes (e.g. single mode SPDs, line-to-neutral + neutral-to-PE, according CT2) this series connection shall fulfil the above voltage protection level requirement.”

**In 534.4.5.2 Arrangement of SPDs with relation to overcurrent protection, replace the image in Figure 534.7 with the following:**

“



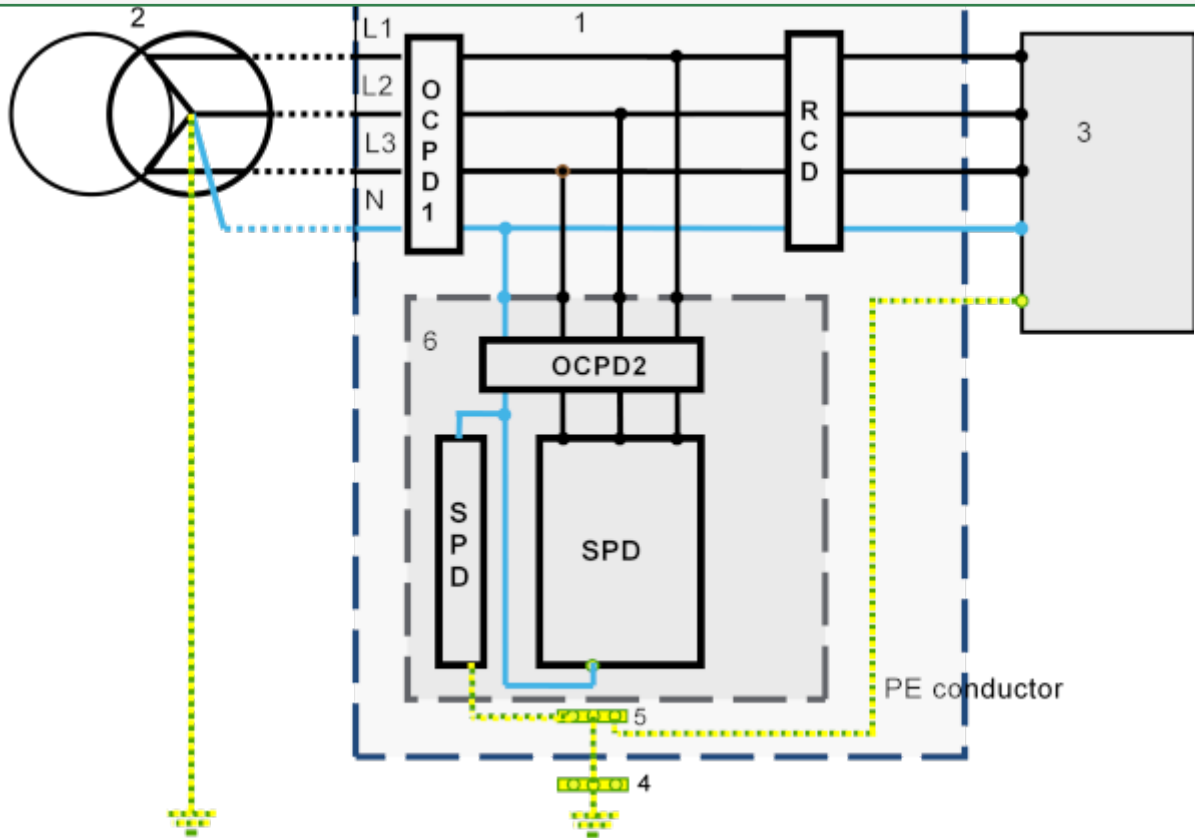
“

**In 536.4.2.1 General, replace the first paragraph with the following:**

“Selectivity between OCPDs is defined in 536.4.1.2 for overload conditions and in 536.4.2.3 for short-circuit conditions. Selectivity between RCDs is defined in 536.4.1.4 and selectivity between OCPD and RCD is defined in 536.4.1.5.”

**In C.2 TT system – 3 phase supply plus neutral, replace the image in Figure C.1 with the following:**

This is a preview of DS/HD 60364-5-53:2022/AC:2025. Click here to purchase the full version from the ANSI store.

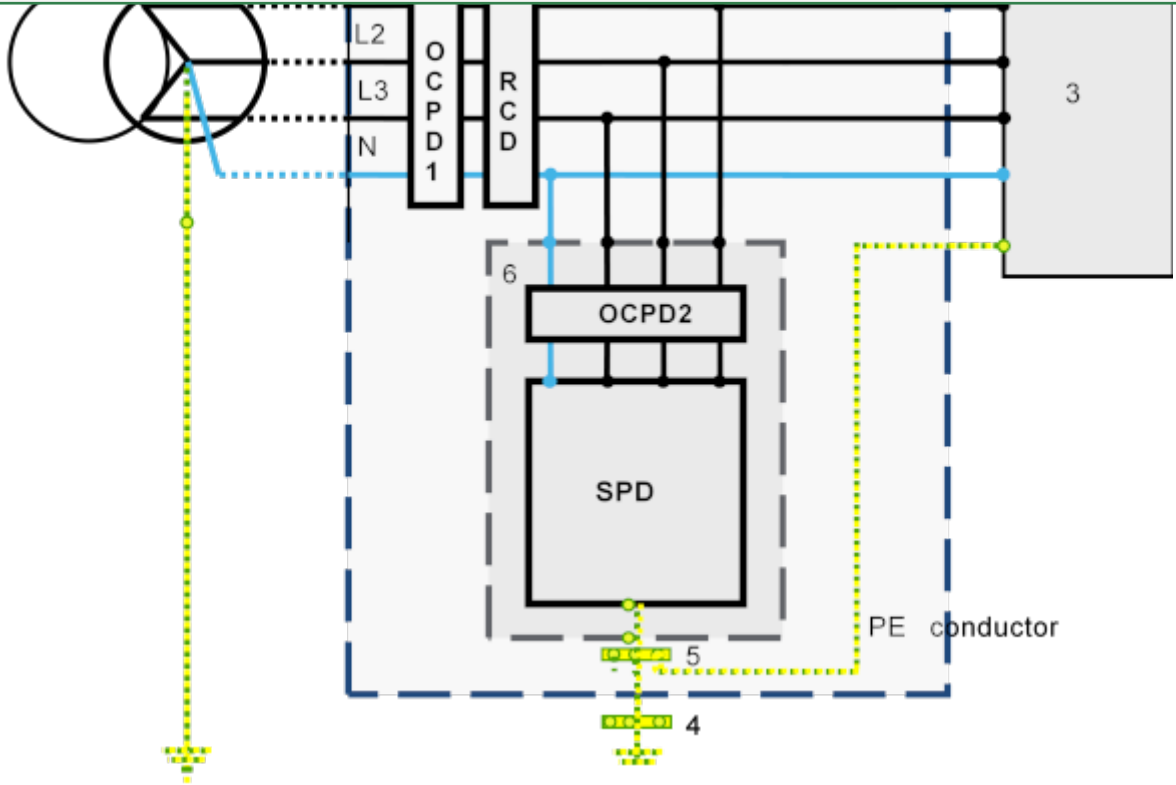


and replace the image in Figure C.3 with the following:

“

“

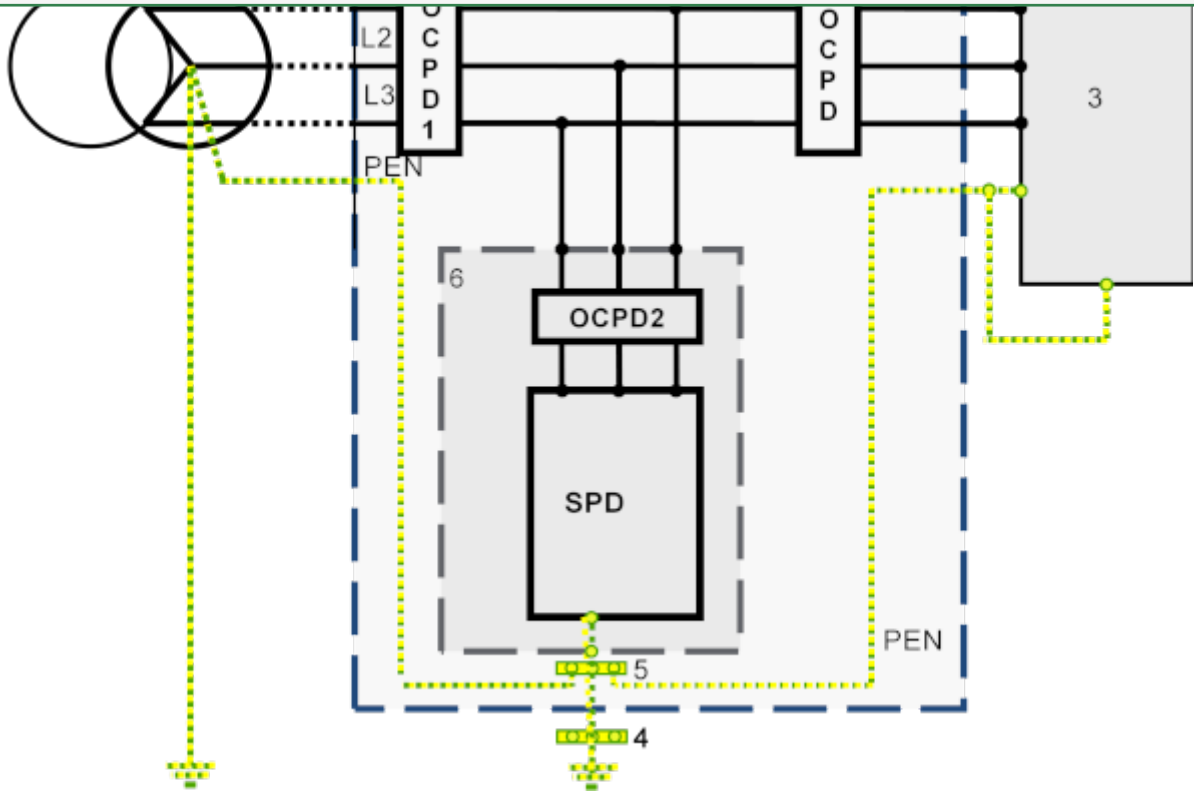
This is a preview of DS/HD 60364-5-53:2022/AC:2025. Click here to purchase the full version from the ANSI store.



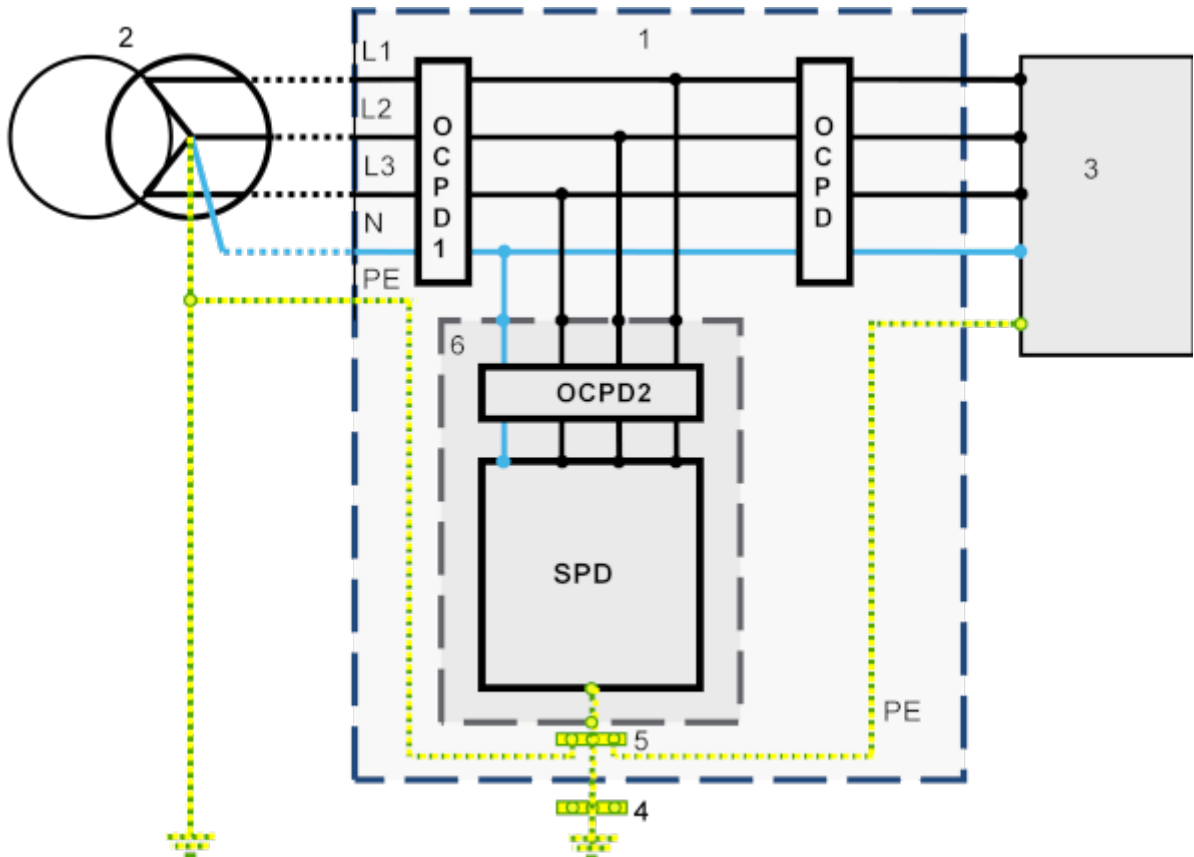
In C.3 TN-C and TN-C-S systems – 3 phase supply, replace Figure C.5 with the following:

“

This is a preview of DS/HD 60364-5-53:2022/AC:2025. Click here to purchase the full version from the ANSI store.



In C.4 TN-S system – 3 phase supply plus neutral, replace the image in Figure C.9 with the following:



This is a preview of DS/HD 60364-5-53:2022/AC:2025. Click here to purchase the full version from the ANSI store.

