



# INTERNATIONAL STANDARD

# NORME INTERNATIONALE



---

**Connectors for electronic equipment –  
Part 7: Detail specification for 8-way, unshielded, free and fixed connectors**

**Connecteurs pour équipements électroniques –  
Partie 7: Spécification particulière pour les fiches et les embases non écrantées  
à 8 voies**

INTERNATIONAL  
ELECTROTECHNICAL  
COMMISSION

COMMISSION  
ELECTROTECHNIQUE  
INTERNATIONALE

## CONTENTS

FOREWORD.....	5
INTRODUCTION.....	7
1 General.....	8
1.1 Scope.....	8
1.2 Normative references.....	8
2 Terms and definitions.....	10
3 Common features and typical connector pair.....	11
3.1 View showing typical fixed and free connectors.....	11
3.2 Mating information.....	11
3.2.1 General.....	11
3.2.2 Contacts – mating conditions.....	12
3.2.3 Fixed connector.....	14
3.2.4 Free connector.....	17
4 Cable terminations and internal connections – Fixed and free connectors.....	19
4.1 General.....	19
4.2 Termination types.....	19
4.2.1 Solder terminations (under consideration).....	19
4.2.2 Solderless terminations.....	19
5 Gauges.....	20
5.1 Fixed connectors.....	20
5.2 Free connectors.....	23
6 Characteristics.....	25
6.1 General.....	25
6.2 Pin and pair grouping assignment.....	25
6.3 Classification into climatic category.....	25
6.4 Electrical characteristics.....	26
6.4.1 Creepage and clearance distances.....	26
6.4.2 Voltage proof.....	26
6.4.3 Current-temperature derating.....	26
6.4.4 Initial contact resistance – interface only (separable fixed and free contact).....	27
6.4.5 Input to output d.c. resistance.....	27
6.4.6 Input-to-output d.c. resistance unbalance.....	27
6.4.7 Initial insulation resistance.....	28
6.4.8 Transfer impedance.....	28
6.5 Transmission characteristics.....	28
6.6 Mechanical characteristics.....	28
6.6.1 Mechanical operation.....	28
6.6.2 Effectiveness of connector coupling devices.....	28
6.6.3 Insertion and withdrawal forces.....	28
7 Tests and test schedule.....	28
7.1 General.....	28
7.2 Arrangement for contact resistance test.....	29
7.3 Arrangement for vibration test (test phase CP1).....	30
7.4 Test procedures and measuring methods.....	30

7.5	Preconditioning .....	31
7.6	Wiring and mounting of specimens .....	31
7.6.1	Wiring.....	31
7.6.2	Mounting .....	31
7.7	Test schedules .....	31
7.7.1	Basic (minimum) test schedule .....	31
7.7.2	Full test schedule .....	31
Annex A (normative) Gauging continuity procedure.....		40
Annex B (normative) Locking-device mechanical operation .....		44
Annex C (normative) Gauge requirements .....		45
Annex D (normative) Keystone connector information .....		46
Bibliography.....		48
Figure 1 – View showing typical fixed and free connectors.....		11
Figure 2 – Contact interface dimensions with terminated free connector .....		12
Figure 3 – Fixed connector details .....		15
Figure 4 – Free connector view.....		17
Figure 5 – “Go” gauge.....		20
Figure 6 – “No-go” gauges .....		22
Figure 7 – “No-go” gauges .....		23
Figure 8 – “Go” gauge.....		24
Figure 9 – Fixed connector pin and pair grouping assignment (front view of connector) .....		25
Figure 10 – Connector de-rating curve .....		27
Figure 11 – Arrangement for contact resistance test .....		29
Figure 12 – Arrangement for vibration test .....		30
Figure A.1 – Gauge.....		42
Figure A.2 – Gauge insertion .....		43
Figure D.1 – Keystone connector .....		46
Figure D.2 – Panel drawing.....		47
Table 1 – Dimensions for Figure 2 .....		13
Table 2 – Dimensions for Figure 3 .....		16
Table 3 – Dimensions for Figure 4 .....		18
Table 4 – Dimensions for Figures 5 and 6.....		22
Table 5 – Dimensions for Figure 7 .....		23
Table 6 – Dimensions for Figure 8 .....		24
Table 7 – Climatic categories – selected values.....		25
Table 8 – Creepage and clearance distances.....		26
Table 9 – Test group P .....		32
Table 10 – Test group AP .....		33
Table 11 – Test group BP .....		35
Table 12 – Test group CP .....		36
Table 13 – Test group DP .....		37

This is a preview of "IEC 60603-7 Ed. 3.1 ...". [Click here to purchase the full version from the ANSI store.](#)

Table 14 – Test group EP .....	38
Table <del>14</del> 15 – Test group FP.....	39
Table A.1 – Dimensions for Figure A.1 .....	41
Table D.1 – Dimensions for Figure D.1 .....	46
Table D.2 – Dimensions.....	47

## INTERNATIONAL ELECTROTECHNICAL COMMISSION

### CONNECTORS FOR ELECTRONIC EQUIPMENT –

#### Part 7: Detail specification for 8-way, unshielded, free and fixed connectors

### FOREWORD

- 1) The International Electrotechnical Commission (IEC) is a worldwide organization for standardization comprising all national electrotechnical committees (IEC National Committees). The object of IEC is to promote international co-operation on all questions concerning standardization in the electrical and electronic fields. To this end and in addition to other activities, IEC publishes International Standards, Technical Specifications, Technical Reports, Publicly Available Specifications (PAS) and Guides (hereafter referred to as "IEC Publication(s)"). Their preparation is entrusted to technical committees; any IEC National Committee interested in the subject dealt with may participate in this preparatory work. International, governmental and non-governmental organizations liaising with the IEC also participate in this preparation. IEC collaborates closely with the International Organization for Standardization (ISO) in accordance with conditions determined by agreement between the two organizations.
- 2) The formal decisions or agreements of IEC on technical matters express, as nearly as possible, an international consensus of opinion on the relevant subjects since each technical committee has representation from all interested IEC National Committees.
- 3) IEC Publications have the form of recommendations for international use and are accepted by IEC National Committees in that sense. While all reasonable efforts are made to ensure that the technical content of IEC Publications is accurate, IEC cannot be held responsible for the way in which they are used or for any misinterpretation by any end user.
- 4) In order to promote international uniformity, IEC National Committees undertake to apply IEC Publications transparently to the maximum extent possible in their national and regional publications. Any divergence between any IEC Publication and the corresponding national or regional publication shall be clearly indicated in the latter.
- 5) IEC itself does not provide any attestation of conformity. Independent certification bodies provide conformity assessment services and, in some areas, access to IEC marks of conformity. IEC is not responsible for any services carried out by independent certification bodies.
- 6) All users should ensure that they have the latest edition of this publication.
- 7) No liability shall attach to IEC or its directors, employees, servants or agents including individual experts and members of its technical committees and IEC National Committees for any personal injury, property damage or other damage of any nature whatsoever, whether direct or indirect, or for costs (including legal fees) and expenses arising out of the publication, use of, or reliance upon, this IEC Publication or any other IEC Publications.
- 8) Attention is drawn to the Normative references cited in this publication. Use of the referenced publications is indispensable for the correct application of this publication.
- 9) Attention is drawn to the possibility that some of the elements of this IEC Publication may be the subject of patent rights. IEC shall not be held responsible for identifying any or all such patent rights.

**This consolidated version of IEC 60603-7 consists of the third edition (2008) [documents 48B/1883A/FDIS and 48B/1917/RVD] and its amendment 1 (2011) [documents 48B/2145/CDV and 48B/2205/RVC]. It bears the edition number 3.1.**

**The technical content is therefore identical to the base edition and its amendment and has been prepared for user convenience. A vertical line in the margin shows where the base publication has been modified by amendment 1. Additions and deletions are displayed in red, with deletions being struck through.**

This is a preview of "IEC 60603-7 Ed. 3.1 ...". [Click here to purchase the full version from the ANSI store.](#)

International Standard IEC 60603-7 has been prepared by subcommittee 48B: Connectors, of IEC technical committee 48: Electromechanical components and mechanical structures for electronic equipment.

This third edition cancels and replaces the second edition published in 1996 and constitutes a technical revision. This edition includes the following significant technical change with respect to the previous edition:

- Drawings and test schedules were updated based on the work done developing IEC 60603-7-4.
- A corrected figure (Figure 10) illustrating a connector de-rating curve has been prepared and inserted in the text.
- Annex D contains the dimensions that define the panel mounting features on the connector and panel that were referenced as the Type A, variant 03 connector in the previous edition.

This publication has been drafted in accordance with the ISO/IEC Directives, Part 2.

A list of all parts of IEC 60603-7 series, under the general title: *Connectors for electronic equipment*, can be found on the IEC website.

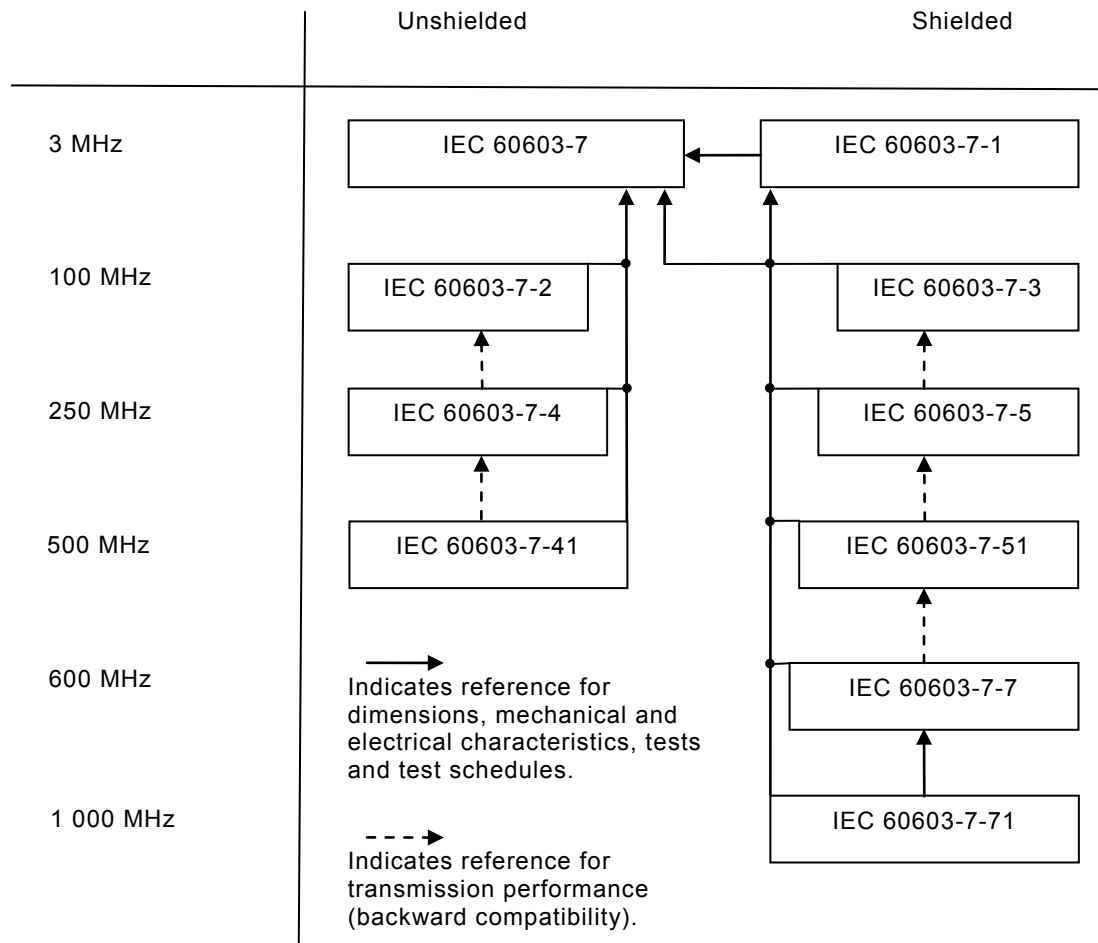
The committee has decided that the contents of the base publication and its amendments will remain unchanged until the stability date indicated on the IEC web site under "<http://webstore.iec.ch>" in the data related to the specific publication. At this date, the publication will be

- reconfirmed,
- withdrawn,
- replaced by a revised edition, or
- amended.

**IMPORTANT – The “colour inside” logo on the cover page of this publication indicates that it contains colours which are considered to be useful for the correct understanding of its contents. Users should therefore print this publication using a colour printer.**

## INTRODUCTION

IEC 60603-7 is the base specification of the whole series. Subsequent specifications do not duplicate information given in the base document, but list only additional requirements. For complete specification regarding a component of a higher number document all lower numbered documents must be considered as well. The following diagram shows the interrelation of the documents:



It should be noted that during the preparation of the third edition of IEC 60603-7, the subcommittee 48B Cat 6&7 project team members determined the current de-rating curve in the standard was not correct. Several experts researched the current rating-temperature rise measurements for 60603-7 style connectors and verified that the de-rating curve in the published standard has been incorrect for many years. A corrected figure (Figure 10) has been prepared and inserted in this edition.

## CONNECTORS FOR ELECTRONIC EQUIPMENT –

### Part 7: Detail specification for 8-way, unshielded, free and fixed connectors

#### 1 General

##### 1.1 Scope

This part of IEC 60603-7 covers 8-way unshielded free and fixed connectors, it is intended to specify the common dimensions, mechanical, electrical and environmental characteristics and tests for the family of IEC 60603-7-x connectors.

These connectors are intermateable (according to IEC 61076-1 level 2) and interoperable with other IEC 60603-7 series connectors.

##### 1.2 Normative references

The following referenced documents are indispensable for the application of this document. For dated references, only the edition cited applies. For undated references, the latest edition of the referenced document (including any amendments) applies.

IEC 60050-581, *International Electrotechnical Vocabulary (IEV) – Chapter 581: Electromechanical components for electronic equipment*

IEC 60068-1, *Environmental testing – Part 1: General and guidance*

IEC 60068-2-14, *Basic environmental testing procedures – Part 2-14: Tests – Test N: Change of temperature*

IEC 60068-2-38, *Basic environmental testing procedures – Part 2-38: Tests – Test Z/AD: Composite temperature/ humidity cyclic test*

IEC 60352-2, *Solderless connections – Part 2: Crimped connections – General requirements, test methods and practical guidance*

IEC 60352-3, *Solderless connections – Part 3: Solderless accessible insulation displacement connections – General requirements, test methods and practical guidance*

IEC 60352-4, *Solderless connections – Part 4: Solderless non-accessible insulation displacement connections – General requirements, test methods and practical guidance*

IEC 60352-5, *Solderless connections – Part 5: Press-in connections – General requirements, test methods and practical guidance*

IEC 60352-6, *Solderless connections – Part 6: Insulation piercing connections – General requirements, test methods and practical guidance*

IEC 60352-7, *Solderless connections – Part 7: Spring clamp connections – General requirements, test methods and practical guidance*

IEC 60512 (all parts), *Connectors for electronic equipment – Tests and measurements*



This is a preview of "IEC 60603-7 Ed. 3.1 ...". [Click here to purchase the full version from the ANSI store.](#)

IEC 60512-1-100, *Connectors for electronic equipment – Tests and measurements – Part 1-100: General – Applicable publications*

IEC 60603-7 (all parts), *Connectors for electronic equipment*

IEC 60664-1, *Insulation coordination for equipment within low-voltage systems – Part 1: Principles, requirements and tests*

IEC 61076-1:2006, *Connectors for electronic equipment – Product Requirements – Part 1: Generic specification*

IEC 61156 (all parts), *Multicore and symmetrical pair/quad cables for digital communications*

IEC 61156-1, *Multicore and symmetrical pair/quad cables for digital communications – Part 1: Generic specification*

IEC 61156-2, *Multicore and symmetrical pair/quad cables for digital communications – Part 2: Horizontal floor wiring – Sectional specification*

IEC 61156-3, *Multicore and symmetrical pair/quad cables for digital communications – Part 3: Work area wiring – Sectional specification*

IEC 61156-4, *Multicore and symmetrical pair/quad cables for digital communications – Part 4: Riser cables – Sectional specification*

IEC 61156-5, *Multicore and symmetrical pair/quad cables for digital communications – Part 5: Symmetrical pair/quad cables with transmission characteristics up to 600 MHz – Horizontal floor wiring – Sectional specification*

IEC 61156-6, *Multicore and symmetrical pair/quad cables for digital communications – Part 6: Symmetrical pair/quad cables with transmission characteristics up to 1 000 MHz – Work area wiring – Sectional specification*

IEC 61156-7, *Multicore and symmetrical pair/quad cables for digital communications – Part 7: Symmetrical pair cables with transmission characteristics up to 1 200 MHz – Sectional specification for digital and analog communication cables*

ISO/IEC 11801, *Information technology – Generic cabling for customer premises*

ISO 1302, *Geometrical Product Specifications (GPS) – Indication of surface texture in technical product documentation*

ITU-T Recommendation K.20:2000 <sup>1</sup>, *Resistibility of telecommunication equipment installed in a telecommunications centre to overvoltages and overcurrents*

ITU-T Recommendation K.44:2000 <sup>2</sup>, *Resistibility tests for telecommunication equipment exposed to overvoltages and overcurrents – Basic Recommendation*

---

<sup>1</sup> This document has been replaced by a new edition (2003), but for the purposes of this standard, the 2000 edition is cited.

<sup>2</sup> This document has been replaced by a new edition (2003), but for the purposes of this standard, the 2000 edition is cited.

## SOMMAIRE

AVANT PROPOS .....	53
INTRODUCTION.....	55
1 Généralités.....	56
1.1 Domaine d'application .....	56
1.2 Références normatives.....	56
2 Termes et définitions .....	58
3 Caractéristiques communes et paire de connecteurs type .....	59
3.1 Vue représentant les embases et les fiches types .....	59
3.2 Informations relatives à l'accouplement.....	59
3.2.1 Généralités.....	59
3.2.2 Contacts – conditions d'accouplement.....	60
3.2.3 Embase .....	62
3.2.4 Fiche pour câble.....	65
4 Sorties de câbles et connexions internes – Embases et fiches .....	67
4.1 Généralités.....	67
4.2 Types de sorties.....	67
4.2.1 Sorties à souder (à l'étude) .....	67
4.2.2 Sorties sans soudure.....	67
5 Calibres.....	68
5.1 Embases .....	68
5.2 Fiches .....	71
6 Caractéristiques .....	73
6.1 Généralités.....	73
6.2 Affectation des broches et des paires .....	73
6.3 Classification en catégories climatiques .....	73
6.4 Caractéristiques électriques .....	74
6.4.1 Lignes de fuite et distances d'isolement .....	74
6.4.2 Tension de tenue.....	74
6.4.3 Taux de réduction de l'intensité en fonction de la température.....	74
6.4.4 Résistance de contact initiale – interface uniquement (contact fixe séparable et libre) .....	75
6.4.5 Résistance entrée/sortie en courant continu .....	75
6.4.6 Résistance différentielle d'entrée/sortie en courant continu .....	75
6.4.7 Résistance d'isolement initiale.....	76
6.4.8 Impédance de transfert.....	76
6.5 Caractéristiques de transmission.....	76
6.6 Caractéristiques mécaniques.....	76
6.6.1 Fonctionnement mécanique .....	76
6.6.2 Efficacité des dispositifs d'accouplement des connecteurs .....	76
6.6.3 Forces d'insertion et d'extraction .....	76
7 Essais et programmes d'essai .....	76
7.1 Généralités.....	76
7.2 Disposition pour l'essai de la résistance de contact.....	77
7.3 Disposition pour l'essai de vibration (phase d'essai CP1) .....	78
7.4 Procédures d'essai et méthodes de mesure .....	78

7.5	Préconditionnement.....	79
7.6	Câblage et montage des éprouvettes .....	79
7.6.1	Câblage.....	79
7.6.2	Montage .....	79
7.7	Programmes d'essais .....	79
7.7.1	Programme d'essais de base (minimal) .....	79
7.7.2	Programme d'essais complet.....	79
	Annexe A (normative) procédure d'évaluation de la continuité .....	88
	Annexe B (normative) Fonctionnement mécanique du dispositif de verrouillage .....	91
	Annexe C (normative) Exigences de calibre .....	92
	Annexe D (normative) Informations concernant le connecteur Keystone .....	93
	Bibliographie.....	95
	Figure 1 – Vue représentant les embases et les fiches types .....	59
	Figure 2 – Dimensions d'interface de contact avec fiche équipée.....	60
	Figure 3 – Détails de l'embase.....	63
	Figure 4 – Vue de la fiche.....	65
	Figure 5 – Calibre "Entre" .....	68
	Figure 6 – Calibres "N'entre pas" .....	70
	Figure 7 – Calibres "N'entre pas" .....	71
	Figure 8 – Calibre "Entre" .....	72
	Figure 9 – Affectation de broches et de paires pour embases (vue de face du connecteur) .....	73
	Figure 10 – Courbe du taux de réduction du connecteur .....	75
	Figure 11 – Disposition pour l'essai de la résistance de contact.....	77
	Figure 12 – Disposition pour l'essai de vibrations .....	78
	Figure A.1 – Calibre.....	90
	Figure A.2 – Insertion du calibre .....	90
	Figure D.1 – Connecteur Keystone .....	93
	Figure D.2 – Dessin du panneau.....	94
	Tableau 1 – Dimensions pour la Figure 2.....	61
	Tableau 2 – Dimensions pour la Figure 3.....	64
	Tableau 3 – Dimensions pour la Figure 4.....	66
	Tableau 4 – Dimensions pour les Figures 5 et 6.....	70
	Tableau 5 – Dimensions pour la Figure 7.....	71
	Tableau 6 – Dimensions pour la Figure 8.....	72
	Tableau 7 – Catégories climatiques – valeurs choisies .....	73
	Tableau 8 – Lignes de fuite et distances d'isolement .....	74
	Tableau 9 – Groupe d'essais P .....	80
	Tableau 10 – Groupe d'essais AP.....	81
	Tableau 11 – Groupe d'essais BP.....	83
	Tableau 12 – Groupe d'essais CP.....	84

This is a preview of "IEC 60603-7 Ed. 3.1 ...". [Click here to purchase the full version from the ANSI store.](#)

Tableau 13 – Groupe d’essais DP .....	85
<b>Tableau 14 – Groupe d’essais EP .....</b>	<b>86</b>
Tableau <del>14</del> <b>15</b> – Groupe d’essais FP .....	87
Tableau A.1 – Dimensions pour la Figure A.1 .....	89
Tableau D.1 – Dimensions pour la Figure D.1 .....	93
Tableau D.2 – Dimensions .....	94

## COMMISSION ÉLECTROTECHNIQUE INTERNATIONALE

### CONNECTEURS POUR ÉQUIPEMENTS ÉLECTRONIQUES –

#### Partie 7: Spécification particulière pour les fiches et les embases non écrantées à 8 voies

#### AVANT PROPOS

- 1) La Commission Electrotechnique Internationale (CEI) est une organisation mondiale de normalisation composée de l'ensemble des comités électrotechniques nationaux (Comités nationaux de la CEI). La CEI a pour objet de favoriser la coopération internationale pour toutes les questions de normalisation dans les domaines de l'électricité et de l'électronique. A cet effet, la CEI – entre autres activités – publie des Normes internationales, des Spécifications techniques, des Rapports techniques, des Spécifications accessibles au public (PAS) et des Guides (ci-après dénommés "Publication(s) de la CEI"). Leur élaboration est confiée à des comités d'études, aux travaux desquels tout Comité national intéressé par le sujet traité peut participer. Les organisations internationales, gouvernementales et non gouvernementales, en liaison avec la CEI, participent également aux travaux. La CEI collabore étroitement avec l'Organisation Internationale de Normalisation (ISO), selon des conditions fixées par accord entre les deux organisations.
- 2) Les décisions ou accords officiels de la CEI concernant les questions techniques représentent, dans la mesure du possible, un accord international sur les sujets étudiés, étant donné que les Comités nationaux de la CEI intéressés sont représentés dans chaque comité d'études.
- 3) Les Publications de la CEI se présentent sous la forme de recommandations internationales et sont agréées comme telles par les Comités nationaux de la CEI. Tous les efforts raisonnables sont entrepris afin que la CEI s'assure de l'exactitude du contenu technique de ses publications; la CEI ne peut pas être tenue responsable de l'éventuelle mauvaise utilisation ou interprétation qui en est faite par un quelconque utilisateur final.
- 4) Dans le but d'encourager l'uniformité internationale, les Comités nationaux de la CEI s'engagent, dans toute la mesure possible, à appliquer de façon transparente les Publications de la CEI dans leurs publications nationales et régionales. Toutes divergences entre toutes Publications de la CEI et toutes publications nationales ou régionales correspondantes doivent être indiquées en termes clairs dans ces dernières.
- 5) La CEI elle-même ne fournit aucune attestation de conformité. Des organismes de certification indépendants fournissent des services d'évaluation de conformité et, dans certains secteurs, accèdent aux marques de conformité de la CEI. La CEI n'est responsable d'aucun des services effectués par les organismes de certification indépendants.
- 6) Tous les utilisateurs doivent s'assurer qu'ils sont en possession de la dernière édition de cette publication.
- 7) Aucune responsabilité ne doit être imputée à la CEI, à ses administrateurs, employés, auxiliaires ou mandataires, y compris ses experts particuliers et les membres de ses comités d'études et des Comités nationaux de la CEI, pour tout préjudice causé en cas de dommages corporels et matériels, ou de tout autre dommage de quelque nature que ce soit, directe ou indirecte, ou pour supporter les coûts (y compris les frais de justice) et les dépenses découlant de la publication ou de l'utilisation de cette Publication de la CEI ou de toute autre Publication de la CEI, ou au crédit qui lui est accordé.
- 8) L'attention est attirée sur les références normatives citées dans cette publication. L'utilisation de publications référencées est obligatoire pour une application correcte de la présente publication.
- 9) L'attention est attirée sur le fait que certains des éléments de la présente Publication de la CEI peuvent faire l'objet de droits de brevet. La CEI ne saurait être tenue pour responsable de ne pas avoir identifié de tels droits de brevets et de ne pas avoir signalé leur existence.

**Cette version consolidée de la CEI 60603-7 comprend la troisième édition (2008) [documents 48B/1883A/FDIS et 48B/1917/RVD] et son amendement 1 (2011) [documents 48B/2145/CDV et 48B/2205/RVC]. Elle porte le numéro d'édition 3.1.**

**Le contenu technique de cette version consolidée est donc identique à celui de l'édition de base et à son amendement; cette version a été préparée par commodité pour l'utilisateur. Une ligne verticale dans la marge indique où la publication de base a été modifiée par l'amendement 1. Les ajouts et les suppressions apparaissent en rouge, les suppressions sont barrées.**

This is a preview of "IEC 60603-7 Ed. 3.1 ...". [Click here to purchase the full version from the ANSI store.](#)

La Norme internationale CEI 60603-7 a été établie par le sous-comité 48B: Connecteurs, du comité d'études 48 de la CEI: Composants électromécaniques et structures mécaniques pour équipements électroniques.

Cette troisième édition annule et remplace la deuxième édition parue en 1996 et constitue une révision technique. Cette édition inclut les modifications techniques majeures suivantes par rapport à l'édition précédente:

- Les dessins et les programmes d'essai ont été mis à jour à partir des travaux réalisés pour l'élaboration de la CEI 60603-7-4.
- Une figure corrigée (Figure 10) illustrant la courbe de taux de réduction a été établie et insérée dans le texte.
- L'Annexe D contient les dimensions qui définissent les caractéristiques de montage de panneau pour le connecteur et le panneau citées en référence comme connecteur de Type A, variante 03 dans l'édition précédente.

Cette publication a été rédigée selon les Directives ISO/CEI, Partie 2.

Une liste de toutes les parties de la série CEI 60603-7, présentées sous le titre général: *Connecteurs pour équipements électroniques*, peut être consultée sur le site web de la CEI.

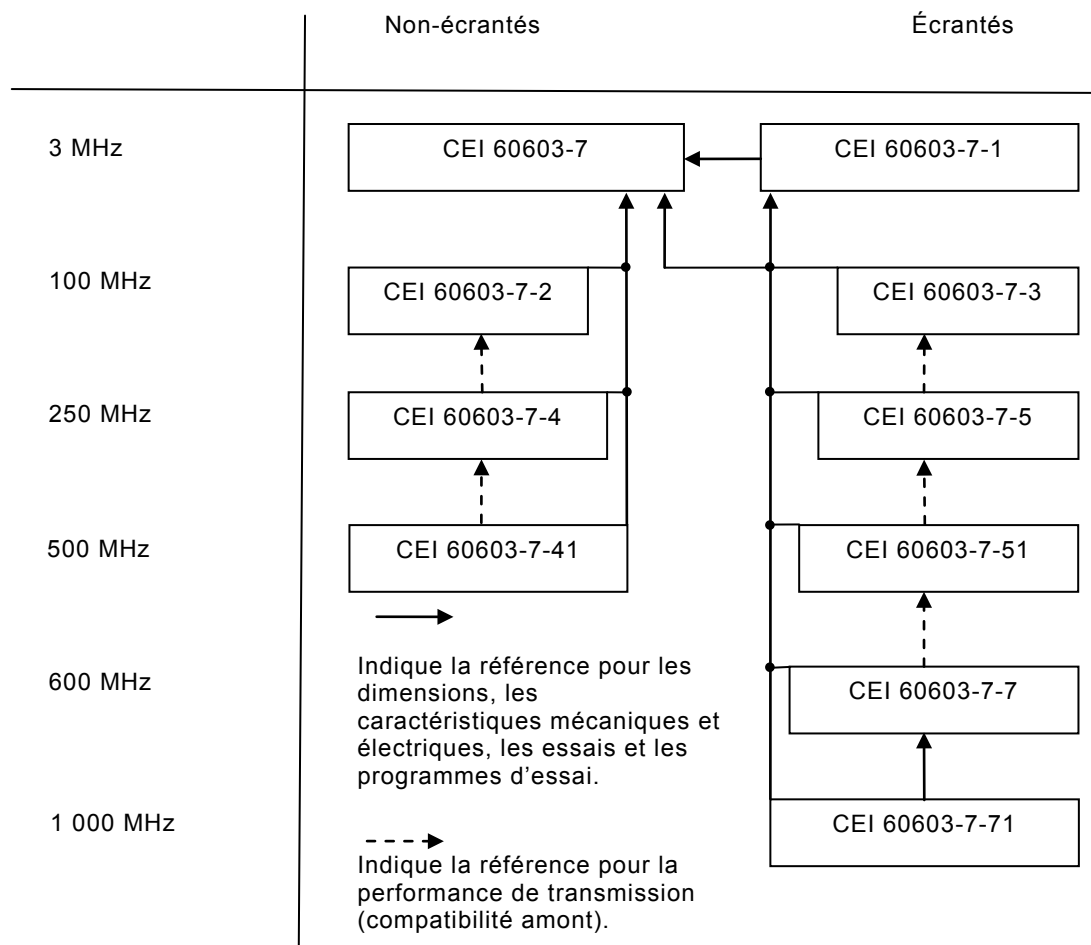
Le comité a décidé que le contenu de la publication de base et de ses amendements ne sera pas modifié avant la date de stabilité indiquée sur le site web de la CEI sous "http://webstore.iec.ch" dans les données relatives à la publication recherchée. A cette date, la publication sera

- reconduite,
- supprimée,
- remplacée par une édition révisée, ou
- amendée.

**IMPORTANT – Le logo "*colour inside*" qui se trouve sur la page de couverture de cette publication indique qu'elle contient des couleurs qui sont considérées comme utiles à une bonne compréhension de son contenu. Les utilisateurs devraient, par conséquent, imprimer cette publication en utilisant une imprimante couleur.**

## INTRODUCTION

La CEI 60603-7 est la spécification de base pour toute la série. Les spécifications qui en découlent ne redonnent pas les informations fournies dans le document de base mais elles stipulent uniquement les exigences supplémentaires. Pour avoir la spécification complète d'un composant donné lorsque le numéro du document est élevé, il faut également prendre en compte tous les documents de numérotation inférieure. Le schéma suivant montre l'interrelation des documents:



Il est à noter que pendant la préparation de la troisième édition de la CEI 60603-7, les membres de l'équipe de projet SC 48B Cat 6&7 ont établi que la courbe de taux de réduction de la capacité de courant dans la norme n'était pas correcte. Plusieurs experts effectuèrent une recherche des mesures de l'accroissement de température lors du passage du courant dans les connecteurs de type 60603-7 et vérifièrent que la courbe de taux de réduction présente dans les normes publiées était incorrecte depuis de nombreuses années. Une figure corrigée (Figure 10) a été établie et est insérée dans cette édition.

## CONNECTEURS POUR EQUIPEMENTS ELECTRONIQUES –

### Partie 7: Spécification particulière pour les fiches et les embases non écrantées à 8 voies

#### 1 Généralités

##### 1.1 Domaine d'application

La présente partie de la CEI 60603-7 couvre les fiches et les embases non écrantées à 8 voies; elle est destinée à spécifier les dimensions communes, les caractéristiques mécaniques, électriques et environnementales ainsi que les essais pour la famille des connecteurs CEI 60603-7-x.

Ces connecteurs sont accouplables (conformes à la CEI 61076-1 niveau 2) et interopérables avec les autres connecteurs de la série CEI 60603-7.

##### 1.2 Références normatives

Les documents de référence suivants sont indispensables pour l'application du présent document. Pour les références datées, seule l'édition citée s'applique. Pour les références non datées, la dernière édition du document de référence s'applique (y compris les éventuels amendements).

CEI 60050-581, *Vocabulaire Electrotechnique International (VEI) – Chapitre 581: Composants électromécaniques pour équipements électroniques*

CEI 60068-1, *Essais d'environnement – Partie 1: Généralités et guide*

CEI 60068-2-14, *Essais fondamentaux climatiques et de robustesse mécanique – Partie 2-14: Essais – Essai N: Variations de température*

CEI 60068-2-38, *Essais fondamentaux climatiques et de robustesse mécanique – Partie 2-38: Essais – Essai Z/AD: Essai cyclique composite de température et d'humidité*

CEI 60352-2, *Connexions sans soudure – Partie 2: Connexions serties – Exigences générales, méthodes d'essai et guide pratique*

CEI 60352-3, *Connexions sans soudure – Partie 3: Connexions autodénudantes, accessibles sans soudure – Règles générales, méthodes d'essai et guide pratique*

CEI 60352-4, *Connexions sans soudure – Partie 4: Connexions autodénudantes, non accessibles sans soudure – Règles générales, méthodes d'essai et guide pratique*

CEI 60352-5, *Connexions sans soudure – Partie 5: Connexions insérées à force – Exigences générales, méthodes d'essai et guide pratique*

CEI 60352-6, *Connexions sans soudure – Partie 6: Connexions à percement d'isolant – Règles générales, méthodes d'essai et guide pratique*

CEI 60352-7, *Connexions sans soudure – Partie 7: Connexions à ressort – Règles générales, méthodes d'essai et guide pratique*



CEI 60512 (toutes les parties), *Connecteurs pour équipements électroniques – Essais et mesures*

CEI 60512-1-100, *Connecteurs pour équipements électroniques – Essais et mesures – Partie 1-100: Généralités – Publications applicables*

CEI 60603-7 (toutes les parties), *Connecteurs pour équipements électroniques*

CEI 60664-1, *Coordination de l'isolement des matériels dans les systèmes (réseaux) à basse tension – Partie 1: Principes, exigences et essais*

CEI 61076-1:2006, *Connecteurs pour équipements électroniques – Exigences de produit – Partie 1: Spécification générique*

CEI 61156 (toutes les parties), *Câbles multiconducteurs à paires symétriques et quartes pour transmissions numériques*

CEI 61156-1, *Multicore and symmetrical pair/quad cables for digital communications – Part 1: Generic specification* (disponible uniquement en anglais)

CEI 61156-2, *Câbles multiconducteurs à paires symétriques et quartes pour transmissions numériques – Partie 2: Câble capillaire – Spécification intermédiaire*

CEI 61156-3, *Câbles multiconducteurs à paires symétriques et quartes pour transmissions numériques – Partie 3: Raccordement de terminal – Spécification intermédiaire*

CEI 61156-4, *Câbles multiconducteurs à paires symétriques et quartes pour transmissions numériques – Partie 4: Câbles vertical – Spécification intermédiaire*

CEI 61156-5, *Câbles multiconducteurs à paires symétriques et quartes pour transmissions numériques – Partie 5: Câbles à paires symétriques et quartes avec caractéristiques de transmission allant jusqu'à 600 MHz – Câble capillaire – Spécification intermédiaire*

IEC 61156-6, *Multicore and symmetrical pair/quad cables for digital communications – Part 6: Symmetrical pair/quad cables with transmission characteristics up to 1 000 MHz – Work area wiring – Sectional specification* (disponible uniquement en anglais)

IEC 61156-7, *Câbles multiconducteurs à paires symétriques et quartes pour transmissions numériques – Partie 7: Câbles à paires symétriques avec caractéristiques de transmission jusqu'à 1 200 MHz – Spécification intermédiaire pour câbles de transmissions numériques et analogiques*

ISO/CEI 11801, *Information technology – Generic cabling for customer premises* (disponible uniquement en anglais)

ISO 1302, *Spécification géométrique des produits (GPS) – Indication des états de surface dans la documentation technique de produits*

Recommandation UIT-T K.20:2000<sup>1</sup>, *Immunité des équipements de télécommunication des centres de télécommunication aux surtensions et aux surintensités*

---

<sup>1</sup> Ce document a été remplacé par une nouvelle édition (2003), mais pour les besoins de la présente norme, l'édition de 2000 est citée.

This is a preview of "IEC 60603-7 Ed. 3.1 ...". [Click here to purchase the full version from the ANSI store.](#)

Recommandation UIT-T K.44:2000<sup>2</sup>, *Essais d'immunité des équipements de télécommunication exposés aux surtensions et aux surintensités – Recommandation fondamentale*

---

<sup>2</sup> Ce document a été remplacé par une nouvelle édition (2003), mais pour les besoins de la présente norme, l'édition de 2000 est citée.