



INTERNATIONAL STANDARD

NORME INTERNATIONALE



**Safety requirements for electrical equipment for measurement, control and laboratory use –
Part 2-032: Particular requirements for hand-held and hand-manipulated current sensors for electrical test and measurement**

**Règles de sécurité pour appareils électriques de mesurage, de régulation et de laboratoire –
Partie 2-032: Exigences particulières pour les capteurs de courant, portatifs et manipulés à la main, de test et de mesure électriques**

INTERNATIONAL
ELECTROTECHNICAL
COMMISSION

COMMISSION
ELECTROTECHNIQUE
INTERNATIONALE

PRICE CODE
CODE PRIX



ICS 19.080

ISBN 978-2-83220-405-4

**Warning! Make sure that you obtained this publication from an authorized distributor.
Attention! Veuillez vous assurer que vous avez obtenu cette publication via un distributeur agréé.**

CONTENTS

FOREWORD.....	4
INTRODUCTION.....	7
1 Scope and object.....	8
2 Normative references	11
3 Terms and definitions	11
4 Tests	12
5 Marking and documentation.....	12
6 Protection against electric shock	16
7 Protection against mechanical HAZARDS.....	22
8 Resistance to mechanical stresses	23
8.1 General.....	23
8.2 ENCLOSURE rigidity tests	23
9 Protection against the spread of fire	23
10 Equipment temperature limits and resistance to heat.....	24
11 Protection against HAZARDS from fluids	24
12 Protection against radiation, including laser sources, and against sonic and ultrasonic pressure	25
13 Protection against liberated gases and substances, explosion and implosion	25
14 Components and subassemblies	25
15 Protection by interlocks	26
16 HAZARDS resulting from application	26
17 RISK assessment	26
101 Measuring circuits	27
102 Prevention of HAZARD from arc flash and short-circuits.....	30
102.1 General	30
102.2 Protection against short-circuits during clamping.....	31
102.3 Protection against short-circuits in closed position	32
Annexes	33
Annex D (normative) Parts between which insulation requirements are specified (see 6.4, 6.5.3, 6.9.101 and 6.9.103).....	33
Annex F (normative) ROUTINE TESTS	35
Annex K (normative) Insulation requirements not covered by 6.7	36
Annex L (informative) Index of defined terms	42
Annex AA (normative) MEASUREMENT CATEGORIES	44
Annex BB (informative) HAZARDS pertaining to measurements performed in certain environments.....	46
Bibliography.....	48
Figure 101 – Examples of current sensors and their parts.....	10
Figure 102 – Pre-treatment of the JAW ENDS	18
Figure 103 – CLEARANCE between the PROTECTIVE BARRIER or tactile indicator to the JAWS and to the HAZARDOUS LIVE conductor	19
Figure 104 – Treatment of the insulation of a flexible current sensor.....	21

Figure 105 – Pulley for the treatment of Figure 104	21
Figure 106 – Test probe to check protection against short-circuits	31
Figure 107 – Use of the test probe of Figure 106	32
Figure D.101 – Parts of current sensors (see also Table D.101).....	33
Figure AA.1 – Example to identify the locations of measuring circuits	45
Table 101 – CLEARANCES and CREEPAGE DISTANCES for measuring circuit TERMINALS with HAZARDOUS LIVE conductive parts	17
Table 102 – Pull forces for endcaps of flexible current sensors	22
Table 103 – Energy level	23
Table 104 – Impulse voltages	26
Table 105 – Thickness of the test probe of Figure 106 and test voltages.....	32
Table D.101 – Insulation requirements between circuits and ACCESSIBLE parts of current sensors	34
Table F.101 – Test voltages for ROUTINE TESTS of JAWS of current sensors.....	35
Table K.101 – CLEARANCES for measuring circuits of MEASUREMENT CATEGORIES II, III and IV.....	37
Table K.102 – Test voltages for testing electric strength of solid insulation in measuring circuits of MEASUREMENT CATEGORY II	38
Table K.103 – Test voltages for testing electric strength of solid insulation in measuring circuits of MEASUREMENT CATEGORY III	38
Table K.104 – Test voltages for testing electric strength of solid insulation in measuring circuits of MEASUREMENT CATEGORY IV	39
Table K.105 – Test voltages for testing long term stress of solid insulation in measuring circuits.....	39
Table AA.1 – Characteristics of MEASUREMENT CATEGORIES	45

INTERNATIONAL ELECTROTECHNICAL COMMISSION

**SAFETY REQUIREMENTS FOR ELECTRICAL EQUIPMENT
FOR MEASUREMENT, CONTROL AND LABORATORY USE –**

**Part 2-032: Particular requirements for hand-held and
hand-manipulated current sensors for electrical test and measurement**

FOREWORD

- 1) The International Electrotechnical Commission (IEC) is a worldwide organization for standardization comprising all national electrotechnical committees (IEC National Committees). The object of IEC is to promote international co-operation on all questions concerning standardization in the electrical and electronic fields. To this end and in addition to other activities, IEC publishes International Standards, Technical Specifications, Technical Reports, Publicly Available Specifications (PAS) and Guides (hereafter referred to as "IEC Publication(s)"). Their preparation is entrusted to technical committees; any IEC National Committee interested in the subject dealt with may participate in this preparatory work. International, governmental and non-governmental organizations liaising with the IEC also participate in this preparation. IEC collaborates closely with the International Organization for Standardization (ISO) in accordance with conditions determined by agreement between the two organizations.
- 2) The formal decisions or agreements of IEC on technical matters express, as nearly as possible, an international consensus of opinion on the relevant subjects since each technical committee has representation from all interested IEC National Committees.
- 3) IEC Publications have the form of recommendations for international use and are accepted by IEC National Committees in that sense. While all reasonable efforts are made to ensure that the technical content of IEC Publications is accurate, IEC cannot be held responsible for the way in which they are used or for any misinterpretation by any end user.
- 4) In order to promote international uniformity, IEC National Committees undertake to apply IEC Publications transparently to the maximum extent possible in their national and regional publications. Any divergence between any IEC Publication and the corresponding national or regional publication shall be clearly indicated in the latter.
- 5) IEC itself does not provide any attestation of conformity. Independent certification bodies provide conformity assessment services and, in some areas, access to IEC marks of conformity. IEC is not responsible for any services carried out by independent certification bodies.
- 6) All users should ensure that they have the latest edition of this publication.
- 7) No liability shall attach to IEC or its directors, employees, servants or agents including individual experts and members of its technical committees and IEC National Committees for any personal injury, property damage or other damage of any nature whatsoever, whether direct or indirect, or for costs (including legal fees) and expenses arising out of the publication, use of, or reliance upon, this IEC Publication or any other IEC Publications.
- 8) Attention is drawn to the Normative references cited in this publication. Use of the referenced publications is indispensable for the correct application of this publication.
- 9) Attention is drawn to the possibility that some of the elements of this IEC Publication may be the subject of patent rights. IEC shall not be held responsible for identifying any or all such patent rights.

International Standard IEC 61010-2-032 has been prepared by IEC technical committee 66: Safety of measuring, control and laboratory equipment.

The text of this standard is based on the following documents:

FDIS	Report on voting
66/474/FDIS	66/488/RVD

Full information on the voting for the approval of this standard can be found in the report on voting indicated in the above table.

This third edition cancels and replaces the second edition published in 2002. This edition constitutes a technical revision.

This edition includes the following significant technical changes with respect to the previous edition:

- a) A new Type D current sensor has been defined.
- b) The terminology for MEASUREMENT CATEGORY I has changed. In this Part 2-032, it is termed "not RATED for measurements within MEASUREMENT CATEGORIES II, III, or IV".
- c) Requirements for markings of measuring circuit TERMINALS and JAWS have been modified.
- d) CLEARANCES and CREEPAGE DISTANCES have been added for unmated measuring circuit TERMINALS.
- e) Requirements have been added for specialized measuring circuit TERMINALS.
- f) The pull test for endcaps of flexible current sensors has been revised.
- g) Requirements for output circuit leads have been revised.
- h) Requirements have been added for temperature limits and resistance to heat to prevent thermal HAZARDS from eddy currents and high currents.
- i) Requirements for circuits or components used as TRANSIENT OVERVOLTAGE limiting devices have been revised.
- j) Requirements have been added for low battery indication.
- k) Requirements have been revised and added pertaining to REASONABLY FORESEEABLE MISUSE of measuring circuits, including usage of the current sensor in a manner that might cause arc flash.
- l) Requirements for MAINS voltage measuring circuits have been added.
- m) Requirements to prevent HAZARDS from short-circuits have been revised and located in a new Clause 102.
- n) ROUTINE TESTS have been modified.
- o) Insulation requirements for measuring circuits have been primarily located in Annex K.
- p) Annex AA has been added to describe the characteristics of MEASUREMENT CATEGORIES.
- q) Annex BB has been added to describe HAZARDS that may be encountered when using measuring circuits.

This Part 2-032 is intended to be used in conjunction with IEC 61010-1. It was established on the basis of the third edition (2010). Consideration may be given to future editions of, or amendments to, IEC 61010-1.

This Part 2-032 supplements or modifies the corresponding clauses in IEC 61010-1 so as to convert that publication into the IEC standard: *Particular requirements for HAND-HELD and hand-manipulated current sensors for electrical test and measurement.*

Where a particular subclause of Part 1 is not mentioned in this Part 2-032, that subclause applies as far as is reasonable. Where this part states "addition", "modification", "replacement", or "deletion" the relevant requirement, test specification or note in Part 1 should be adapted accordingly.

In this standard:

- a) the following print types are used:
 - requirements: in roman type;
 - NOTES: in small roman type;
 - *conformity and test: in italic type;*
 - terms used throughout this standard which have been defined in Clause 3: SMALL ROMAN CAPITALS;

This is a preview of "IEC 61010-2-032 Ed. ...". [Click here to purchase the full version from the ANSI store.](#)

- b) subclauses, figures, tables and notes which are additional to those in Part 1 are numbered starting from 101; and additional list items are numbered from aa). Additional annexes are numbered AA and BB.

This publication has been drafted in accordance with the ISO/IEC Directives, Part 2.

A list of all parts of the IEC 61010 series, under the general title *Safety requirements for electrical equipment for measurement, control and laboratory use*, can be found on the IEC website.

The committee has decided that the contents of this publication will remain unchanged until the stability date indicated on the IEC web site under "<http://webstore.iec.ch>" in the data related to the specific publication. At this date, the publication will be

- reconfirmed,
- withdrawn,
- replaced by a revised edition, or
- amended.

IMPORTANT – The 'colour inside' logo on the cover page of this publication indicates that it contains colours which are considered to be useful for the correct understanding of its contents. Users should therefore print this document using a colour printer.

INTRODUCTION

IEC 61010-1 specifies the safety requirements that are generally applicable to all equipment within its scope. For certain types of equipment, the requirements of IEC 61010-1 will be supplemented or modified by the special requirements of one, or more than one, particular part 2s of the standard which are to be read in conjunction with the Part 1 requirements.

This Part 2-032 specifies the safety requirements that are generally applicable to HAND-HELD and hand-manipulated current sensors (see Clause 1).

Part 2-030 specifies the safety requirements for testing and measuring circuits which are connected for test or measurement purposes to devices or circuits outside the measurement equipment itself.

Part 2-033 specifies the safety requirements for HAND HELD METERS that have a primary purpose of measuring voltage on a live MAINS CIRCUIT.

Except for protective bonding, all requirements of Part 2-030 have been included into Part 2-032. Equipment within the scopes of Part 2-030 and Part 2-032 are considered to be covered by the requirements of Part 2-032. However, for equipment within the scope of both Part 2-032 and Part 2-033, the two standards are to be read in conjunction.

SAFETY REQUIREMENTS FOR ELECTRICAL EQUIPMENT FOR MEASUREMENT, CONTROL AND LABORATORY USE –

Part 2-032: Particular requirements for hand-held and hand-manipulated current sensors for electrical test and measurement

1 Scope and object

This clause of Part 1 is applicable except as follows:

1.1.1 Equipment included in scope

Replacement:

Replace the existing text with the following:

This part of IEC 61010 specifies safety requirements for HAND-HELD and hand-manipulated current sensors described below.

These current sensors are for measuring, detecting or injecting current, or indicating current waveforms on circuits without physically opening the current path of the circuit being measured. They may be stand-alone current sensors or accessories to other equipment or parts of combined equipment (see Figure 101). These include measurement circuits which are part of electrical test and measurement equipment, laboratory equipment, or process control equipment. The existence of these current sensors and circuits in equipment requires additional protective means between the current sensor, the circuit and an OPERATOR.

NOTE 1 This part includes also the requirements of Part 2-030. Testing and measuring circuits that are not within the scope of this part are considered to be covered by the requirements of Part 1 or other parts 2s of IEC 61010, and then will also need to meet the requirements of these other parts with the exception of Part 2-030. Current clamp meters and similar currents sensors that have a primary purpose of measuring voltage on a live MAINS CIRCUIT are also within the scope of Part 2-033.

NOTE 2 Some current sensors are also known as current clamps and current probes.

Current sensors require hand manipulation before or after a test or measurement, but do not necessarily need to be HAND-HELD during the test or measurement.

NOTE 3 Some current sensors designed for portable use can also be used for fixed installations.

The following types of current sensors are covered:

- a) Type A: a current sensor designed to be applied around or removed from UNINSULATED HAZARDOUS LIVE conductors. Type A current sensors have defined HAND-HELD or hand-manipulated parts providing protection against electric shock from the conductor being measured, and also have protection against short-circuits between wires and busbars during clamping.
- b) Type B: a current sensor which has protection against short-circuits between wires or busbars during clamping but without defined HAND-HELD or hand-manipulated parts which provide protection against electric shock during clamping. Additional protective means are necessary to avoid electric shock from HAZARDOUS LIVE conductors which cannot be de-energised during application or removal of the current sensor.

EXAMPLE 1 Flexible current sensors.

- c) Type C: a current sensor without protection against short-circuits between wires or busbars during clamping. Type C current sensors are intended to be applied to or removed

from UNINSULATED HAZARDOUS LIVE conductors or from non-limited-energy circuit conductors only when they are de-energised.

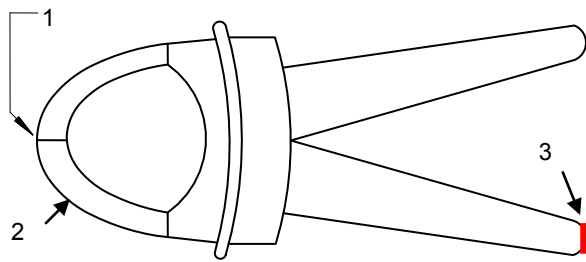
EXAMPLE 2 Split-core transducers.

- d) Type D: a current sensor designed to be applied around or removed from insulated conductors or from limited-energy circuit conductors.

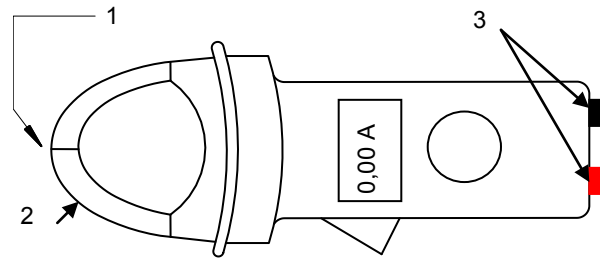
A Type D current sensor does not need protection against short-circuits during clamping and has no defined HAND-HELD or hand-manipulated parts providing protection against electric shock from the conductor being measured.

EXAMPLE 3 Current probes for oscilloscopes and earth leakage current detectors.

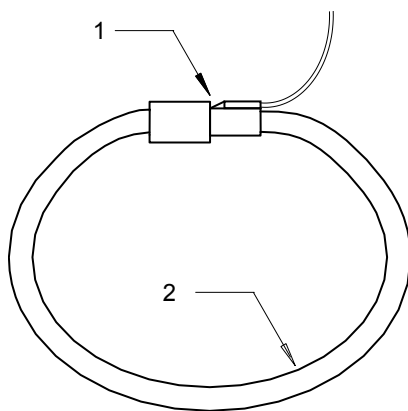
NOTE 4 All current sensors can also be used around insulated conductors. In this case, HAZARDS are limited to acceptable levels by the insulation of the conductors.



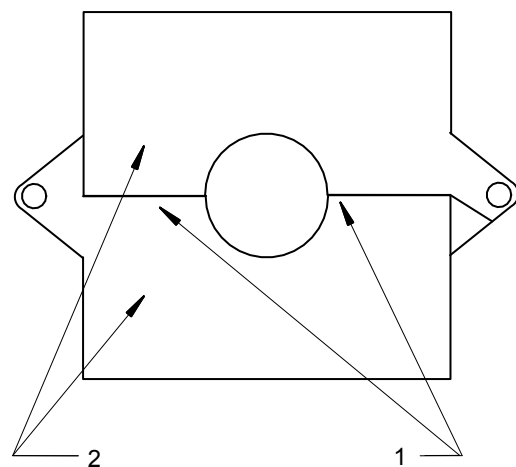
Type A
Current sensor as an accessory



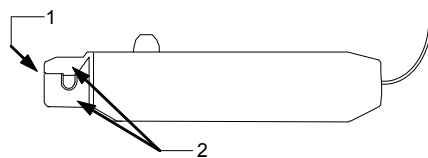
Type A
Current sensor with self-contained measuring functions
or with additional measuring functions



Type B
Flexible current sensor



Type C
Split-core current sensor



Type D
Current sensor for non HAZARDOUS LIVE applications
(shown with a sliding JAW)

IEC 1865/12

Key

- 1 JAW END(S)
- 2 JAW
- 3 measuring circuit TERMINALS

Figure 101 – Examples of current sensors and their parts

1.2.1 Aspects included in scope

Addition:

Add the following two new paragraphs at the end of the subclause:

Requirements for protection against HAZARDS resulting from NORMAL USE and REASONABLY FORESEEABLE MISUSE of measuring circuits are given in Clause 101.

This is a preview of "IEC 61010-2-032 Ed. ...". [Click here to purchase the full version from the ANSI store.](#)

Requirements for prevention of HAZARD from arc flash and short-circuits are given in Clause 102.

2 Normative references

This clause of Part 1 is applicable.

SOMMAIRE

AVANT-PROPOS.....	52
INTRODUCTION.....	55
1 Domaine d'application et objet.....	56
2 Références normatives.....	59
3 Termes et définitions	59
4 Essais	60
5 Marquage et documentation	60
6 Protection contre les chocs électriques.....	64
7 Protection contre les DANGERS mécaniques	71
8 Résistance aux contraintes mécaniques	71
8.1 Généralités.....	71
8.2 Essais de rigidité de l'ENVELOPPE.....	71
9 Protection contre la propagation du feu	72
10 Limites de température de l'appareil et résistance à la chaleur	72
11 Protection contre les DANGERS des fluides	73
12 Protection contre les radiations, y compris les sources laser, et contre la pression acoustique et ultrasonique.....	73
13 Protection contre les émissions de gaz et substances, les explosions et les implosions	73
14 Composants et sous-ensembles	73
15 Protection par systèmes de verrouillage	74
16 DANGERS résultant de l'application	74
17 Appréciation du RISQUE.....	75
101 Circuits de mesure	75
102 Prévention du DANGER d'arc électrique et de courts-circuits	79
102.1 Généralités.....	79
102.2 Protection contre les courts circuits durant l'enserrement.....	79
102.3 Protection contre les courts circuits en position fermée	81
Annexes	82
Annexe D (normative) Parties entre lesquelles des exigences d'isolement sont spécifiées (voir 6.4, 6.5.3, 6.9.101 et 6.9.103)	82
Annexe F (normative) ESSAIS INDIVIDUELS DE SÉRIE	84
Annexe K (normative) Exigences d'isolation non couvertes par 6.7	86
Annexe L (informative) Index des termes définis	92
Annexe AA (normative) CATÉGORIES DE MESURE	94
Annexe BB (informative) DANGERS se rapportant aux mesures effectuées dans certains environnements	96
Bibliographie.....	99
Figure 101 – Exemples de capteurs de courant et de leurs parties.....	58
Figure 102 – Prétraitement des EXTRÉMITÉS DE MÂCHOIRES	67
Figure 103 – DISTANCE D'ISOLEMENT entre la BARRIÈRE DE PROTECTION ou l'indicateur tactile et les MÂCHOIRES et le conducteur sous TENSION DANGEREUSE	67

Figure 104 – Traitement de l'isolation d'un capteur de courant flexible.....	69
Figure 105 – Poulie pour le traitement de la Figure 104	69
Figure 106 – Sonde d'essai pour vérifier la protection contre les courts-circuits.....	80
Figure 107 – Utilisation de la sonde d'essai de la Figure 106.....	80
Figure D.101 – Parties des capteurs de courant (voir aussi le Tableau D.101).....	82
Figure AA.1 – Exemple d'identification des emplacements des circuits de mesure	95
Tableau 101 – DISTANCES D'ISOLEMENT et LIGNES DE FUITE des BORNES d'un circuit de mesure ayant des parties conductrices sous TENSION DANGEREUSE	65
Tableau 102 – Force de traction des capots d'extrémité des capteurs de courant flexibles	70
Tableau 103 – Niveau d'énergie.....	71
Tableau 104 – Tensions de chocs.....	74
Tableau 105 – Epaisseur de la sonde d'essai de la Figure 106 et tensions d'essai	81
Tableau D.101 – Exigences d'isolation entre les circuits et les parties ACCESSIBLES des capteurs de courant	83
Tableau F.101 – Tensions d'essai pour les ESSAIS INDIVIDUELS DE SÉRIE des MÂCHOIRES des capteurs de courant	85
Tableau K.101 – DISTANCES D'ISOLEMENT des circuits de mesure en CATÉGORIES DE MESURE II, III et IV.....	87
Tableau K.102 – Tensions d'essai de l'isolation solide des circuits de mesure en CATÉGORIE DE MESURE II	88
Tableau K.103 – Tensions d'essai de l'isolation solide des circuits de mesure en CATÉGORIE DE MESURE III	88
Tableau K.104 – Tensions d'essai de l'isolation solide des circuits de mesure en CATÉGORIE DE MESURE IV	89
Tableau K.105 – Tensions d'essai des contraintes électriques de longue durée de l'isolation solide des circuits de mesure	89
Tableau AA.1 – Caractéristiques des CATÉGORIES DE MESURE	95

COMMISSION ELECTROTECHNIQUE INTERNATIONALE

**RÈGLES DE SÉCURITÉ POUR APPAREILS ÉLECTRIQUES
DE MESURAGE, DE RÉGULATION ET DE LABORATOIRE –**

**Partie 2-032: Exigences particulières pour les capteurs de courant,
portatifs et manipulés à la main, de test et de mesure électriques**

AVANT-PROPOS

- 1) La Commission Electrotechnique Internationale (CEI) est une organisation mondiale de normalisation composée de l'ensemble des comités électrotechniques nationaux (Comités nationaux de la CEI). La CEI a pour objet de favoriser la coopération internationale pour toutes les questions de normalisation dans les domaines de l'électricité et de l'électronique. A cet effet, la CEI – entre autres activités – publie des Normes internationales, des Spécifications techniques, des Rapports techniques, des Spécifications accessibles au public (PAS) et des Guides (ci-après dénommés "Publication(s) de la CEI"). Leur élaboration est confiée à des comités d'études, aux travaux desquels tout Comité national intéressé par le sujet traité peut participer. Les organisations internationales, gouvernementales et non gouvernementales, en liaison avec la CEI, participent également aux travaux. La CEI collabore étroitement avec l'Organisation Internationale de Normalisation (ISO), selon des conditions fixées par accord entre les deux organisations.
- 2) Les décisions ou accords officiels de la CEI concernant les questions techniques représentent, dans la mesure du possible, un accord international sur les sujets étudiés, étant donné que les Comités nationaux de la CEI intéressés sont représentés dans chaque comité d'études.
- 3) Les Publications de la CEI se présentent sous la forme de recommandations internationales et sont agréées comme telles par les Comités nationaux de la CEI. Tous les efforts raisonnables sont entrepris afin que la CEI s'assure de l'exactitude du contenu technique de ses publications; la CEI ne peut pas être tenue responsable de l'éventuelle mauvaise utilisation ou interprétation qui en est faite par un quelconque utilisateur final.
- 4) Dans le but d'encourager l'uniformité internationale, les Comités nationaux de la CEI s'engagent, dans toute la mesure possible, à appliquer de façon transparente les Publications de la CEI dans leurs publications nationales et régionales. Toutes divergences entre toutes Publications de la CEI et toutes publications nationales ou régionales correspondantes doivent être indiquées en termes clairs dans ces dernières.
- 5) La CEI elle-même ne fournit aucune attestation de conformité. Des organismes de certification indépendants fournissent des services d'évaluation de conformité et, dans certains secteurs, accèdent aux marques de conformité de la CEI. La CEI n'est responsable d'aucun des services effectués par les organismes de certification indépendants.
- 6) Tous les utilisateurs doivent s'assurer qu'ils sont en possession de la dernière édition de cette publication.
- 7) Aucune responsabilité ne doit être imputée à la CEI, à ses administrateurs, employés, auxiliaires ou mandataires, y compris ses experts particuliers et les membres de ses comités d'études et des Comités nationaux de la CEI, pour tout préjudice causé en cas de dommages corporels et matériels, ou de tout autre dommage de quelque nature que ce soit, directe ou indirecte, ou pour supporter les coûts (y compris les frais de justice) et les dépenses découlant de la publication ou de l'utilisation de cette Publication de la CEI ou de toute autre Publication de la CEI, ou au crédit qui lui est accordé.
- 8) L'attention est attirée sur les références normatives citées dans cette publication. L'utilisation de publications référencées est obligatoire pour une application correcte de la présente publication.
- 9) L'attention est attirée sur le fait que certains des éléments de la présente Publication de la CEI peuvent faire l'objet de droits de brevet. La CEI ne saurait être tenue pour responsable de ne pas avoir identifié de tels droits de brevets et de ne pas avoir signalé leur existence.

La Norme internationale CEI 61010-2-032 a été établie par le comité d'études 66 de la CEI: Sécurité des appareils de mesure, de commande et de laboratoire.

Le texte de cette norme est issu des documents suivants:

FDIS	Rapport de vote
66/474/FDIS	66/488/RVD

Le rapport de vote indiqué dans le tableau ci-dessus donne toute information sur le vote ayant abouti à l'approbation de cette norme.

Cette troisième édition annule et remplace la deuxième édition parue en 2002. Cette édition constitue une révision technique.

Cette édition inclut les modifications techniques majeures suivantes par rapport à l'année précédente:

- a) Un nouveau Type D de capteur de courant a été défini.
- b) La terminologie pour la CATÉGORIE DE MESURE I a changé. Dans la présente Partie 2-032, elle est dite "non ASSIGNÉE pour mesure en CATÉGORIES DE MESURE II, III ou IV".
- c) Les exigences pour les marquages des BORNES des circuits de mesure et des MÂCHOIRES ont été modifiées.
- d) Des DISTANCES D'ISOLEMENT et des LIGNES DE FUITE ont été ajoutées pour les BORNES non connectées des circuits de mesure.
- e) Des exigences ont été ajoutées pour les BORNES spécialisées des circuits de mesure.
- f) L'essai de traction sur les capots d'extrémité des capteurs de courant flexibles a été revu.
- g) Les exigences pour les cordons des circuits de sortie ont été revues.
- h) Des exigences ont été ajoutées pour les limites de température et la tenue à la chaleur pour empêcher les DANGERS thermiques dus aux courants de Foucault et aux courants élevés.
- i) Les exigences pour les circuits ou composants utilisés comme dispositifs de limitation contre les SURTENSIONS TRANSITOIRES ont été revues.
- j) Des exigences ont été ajoutées pour l'indication de batterie faible.
- k) Des exigences relatives AUX MAUVAIS USAGES RAISONNABLEMENT PRÉVISIBLES de circuits de test et de mesure ont été revues et ajoutées, y compris l'utilisation du capteur de courant pouvant causer un arc électrique.
- l) Des exigences pour les circuits de mesure RÉSEAU ont été ajoutées.
- m) Les exigences pour empêcher les DANGERS dus aux courts-circuits ont été revues et placés dans un nouvel Article 102.
- n) Les ESSAIS INDIVIDUELS DE SÉRIE ont été modifiés.
- o) Les exigences d'isolation des circuits de mesure sont situées principalement dans l'Annexe K.
- p) Une Annexe AA décrivant les caractéristiques des CATÉGORIES DE MESURE a été ajoutée.
- q) Une Annexe BB décrivant les DANGERS qui peuvent être rencontrés lors de l'utilisation de circuits de test et de mesure a été ajoutée.

La présente Partie 2-032 doit être utilisée avec la CEI 61010-1. Elle a été établie sur la base de la deuxième édition (2001) de cette norme. Les éditions ou amendements futurs de la CEI 61010-1 pourront être pris en considération.

La présente Partie 2-032 complète ou modifie les articles correspondants de la CEI 61010-1 de façon à la transformer en la norme CEI: *Exigences particulières pour les capteurs de courant, PORTATIFS et manipulés à la main, de test et de mesure électriques.*

Lorsqu'un paragraphe particulier de la Partie 1 n'est pas mentionné dans cette Partie 2-032, ce paragraphe s'applique pour autant qu'il est raisonnable. Lorsque cette partie spécifie "addition", "modification", "remplacement" ou "suppression", l'exigence, la modalité d'essai ou la note correspondante de la Partie 1 doit être adaptée en conséquence.

Dans la présente norme:

- a) les caractères d'imprimerie suivants sont employés:
 - exigences: caractères romains;

This is a preview of "IEC 61010-2-032 Ed. ...". [Click here to purchase the full version from the ANSI store.](#)

- NOTES: petits caractères romains;
- *conformité et essais: caractères italiques;*
- termes définis à l'Article 3 et utilisés dans toute cette norme: PETITES CAPITALES EN CARACTÈRES ROMAINS.

b) les paragraphes, figures, tableaux et notes complémentaires à ceux de la Partie 1 sont numérotés à partir de 101, et les points ajoutés aux listes sont numérotés à partir de aa). Les annexes complémentaires sont nommées AA et BB.

Cette publication a été rédigée selon les Directives ISO/CEI, Partie 2.

Une liste de toutes les parties de la CEI 61010, sous le titre général *Règles de sécurité pour appareils électriques de mesure, de régulation et de laboratoire*, est disponible sur le site web de la CEI.

Le comité a décidé que le contenu de cette publication ne sera pas modifié avant la date de stabilité indiquée sur le site web de la CEI sous "<http://webstore.iec.ch>" dans les données relatives à la publication recherchée. A cette date, la publication sera

- reconduite,
- supprimée,
- remplacée par une édition révisée, ou
- amendée.

IMPORTANT – Le logo "*colour inside*" qui se trouve sur la page de couverture de cette publication indique qu'elle contient des couleurs qui sont considérées comme utiles à une bonne compréhension de son contenu. Les utilisateurs devraient, par conséquent, imprimer cette publication en utilisant une imprimante couleur.

INTRODUCTION

La CEI 61010-1 spécifie les exigences de sécurité qui sont d'application générale à tous les appareils qu'elle concerne. Pour certains types d'appareils, les exigences de la CEI 61010-1 seront complétées ou modifiées par les exigences particulières d'une ou de plusieurs parties 2 particulières, qu'il faut lire conjointement avec les exigences de la Partie 1.

Cette Partie 2-032 spécifie les exigences de sécurité qui sont généralement applicables aux capteurs de courant PORTATIFS et manipulés à la main (voir Article 1).

La Partie 2-030 spécifie les exigences de sécurité des circuits de test et de mesure qui sont reliés à des fins d'essai ou de mesure à des dispositifs ou à des circuits externes à l'appareil de mesure même.

La Partie 2-033 spécifie les exigences de sécurité pour les MESUREURS PORTATIFS qui ont pour objectif principal de mesurer la tension d'un CIRCUIT RÉSEAU sous tension.

Sauf pour les liaisons de protection, toutes les exigences de la Partie 2-030 ont été incluses dans la Partie 2-032. Les appareils dans les domaines d'application des Parties 2-030 et 2-032 sont considérés comme étant couverts par les exigences de la Partie 2-032. Toutefois, pour les appareils simultanément dans les domaines d'application de la Partie 2-032 et la Partie 2-033, ces deux parties doivent être lues conjointement.

REGLES DE SECURITE POUR APPAREILS ELECTRIQUES DE MESURAGE, DE RÉGULATION ET DE LABORATOIRE –

Partie 2-032: Exigences particulières pour les capteurs de courant, portatifs et manipulés à la main, de test et de mesure électriques

1 Domaine d'application et objet

Cet article de la Partie 1 est applicable à l'exception de ce qui suit:

1.1.1 Appareils inclus dans le domaine d'application

Remplacement:

Remplacer le texte existant par le nouveau texte suivant:

La présente partie de la CEI 61010 spécifie les exigences de sécurité pour les capteurs de courant PORTATIFS et manipulés à la main décrits ci-dessous.

Ces capteurs de courant sont conçus pour mesurer, détecter ou injecter du courant, ou représenter les formes d'onde du courant sans ouverture physique du chemin du courant sur le circuit mesuré. Les capteurs de courant peuvent être autonomes, ou accessoires d'autres appareils ou parties d'appareils combinés (voir la Figure 101). Cela comprend les circuits de mesure qui font partie des appareils électriques d'essai et de mesure, du matériel de laboratoire, des appareils électriques de laboratoire ou des appareils de contrôle de procédés industriels. L'existence de ces capteurs de courant et circuits dans les appareils nécessite des moyens de protection supplémentaires entre le capteur de courant, le circuit et un OPÉRATEUR.

NOTE 1 La présente partie comporte également les exigences de la Partie 2-030. Les circuits de test et de mesure qui ne sont pas dans le domaine d'application de la présente partie sont considérés comme étant couverts par les exigences de la Partie 1 ou d'autres parties 2 de la CEI 61010, et donc aurons également à répondre aux exigences de ces autres parties à l'exception de la Partie 2-030. Les pinces-ampèremètres et les capteurs de courants similaires qui ont pour objectif principal de mesurer la tension d'un CIRCUIT RÉSEAU sous tension sont également dans le cadre de la Partie 2-033.

NOTE 2 Certains capteurs de courant sont également connus sous les noms de pinces de courant et sondes de courant.

Les capteurs de courant nécessitent d'être pris en main avant ou après un essai ou une mesure, mais n'ont pas besoin nécessairement d'être tenus en main pendant un essai ou une mesure.

NOTE 3 Certains capteurs de courant conçus pour une utilisation portable peuvent également être utilisés pour des installations fixes.

Les types suivants de capteurs de courant sont couverts:

- a) Type A: capteur de courant conçu pour enserrer ou être retiré de conducteurs NON ISOLÉS sous TENSION DANGEREUSE. Les capteurs de courant de Type A ont des parties PORTATIVES ou manipulées définies, assurant la protection contre les chocs électriques du conducteur mesuré et ont aussi une protection contre les courts-circuits entre les fils et les barres durant l'enserrement.
- b) Type B: capteur de courant avec protection contre les courts-circuits entre les fils et les barres durant l'enserrement mais sans parties PORTATIVES ou manipulées définies assurant la protection contre les chocs électriques durant l'enserrement. Des moyens de protection supplémentaires sont nécessaires pour éviter le choc électrique des

conducteurs sous TENSION DANGEREUSE qui ne peuvent être mis hors service durant la mise en place ou le retrait du capteur de courant.

EXEMPLE 1 Capteurs de courant flexibles.

- c) Type C: capteur de courant sans protection contre les courts-circuits entre les fils et les barres durant l'enserrement. Les capteurs de courant du type C sont conçus pour être mis en place ou retirés sur des conducteurs sous TENSION DANGEREUSE NON ISOLÉS ou sur des conducteurs de circuit à énergie non-limitée uniquement lorsqu'ils sont hors service.

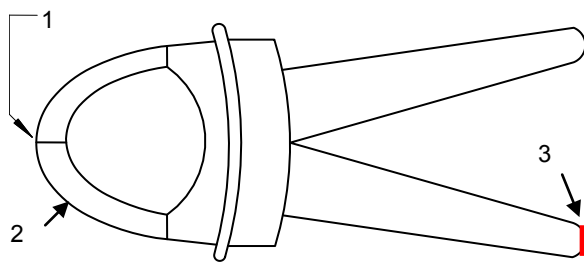
EXEMPLE 2 Transducteurs à noyau ouvrant.

- d) Type D: capteur de courant conçu pour être mis en place ou retiré sur des conducteurs isolés ou sur des conducteurs de circuit à énergie limitée.

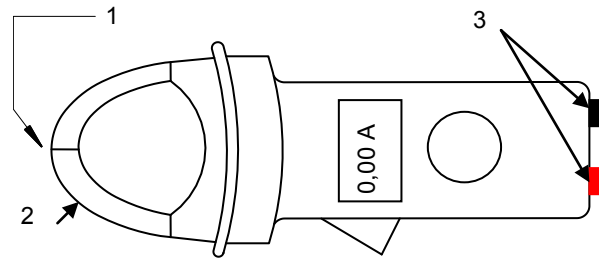
Un capteur de courant de Type D n'a pas besoin d'une protection contre les courts-circuits durant l'enserrement et n'a pas de partie PORTATIVE ou manipulée définie assurant la protection contre les chocs électriques du conducteur mesuré.

EXEMPLE 3 Sondes de courant pour oscilloscopes et détecteurs de courant de fuite.

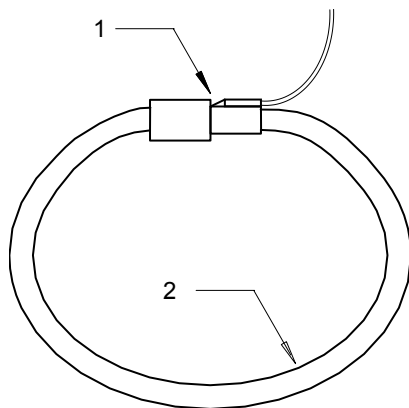
NOTE 4 Tous les capteurs de courant peuvent également être utilisés autour de conducteurs isolés. Dans ce cas, les DANGERS sont limités à des niveaux acceptables par l'isolation des conducteurs.



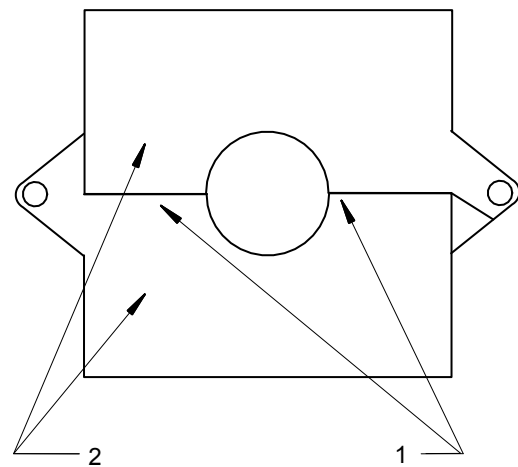
Type A
Capteur de courant utilisé comme accessoire



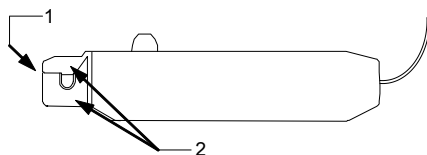
Type A
Capteur de courant avec des fonctions de mesure internes ou additionnelles



Type B
Capteur de courant flexible



Type C
Capteur de courant à noyau ouvrant



Type D
Capteur de courant pour applications sous TENSION non DANGEREUSE (avec une MÂCHOIRE coulissante)

IEC 1865/12

Légende

- 1 EXTRÉMITÉ(S) de la MÂCHOIRE
- 2 MÂCHOIRE
- 3 BORNES du circuit de mesure

Figure 101 – Exemples de capteurs de courant et de leurs parties

1.2.1 Aspects inclus dans le domaine d'application

Addition:

Ajouter les deux nouveaux alinéas suivants à la fin du paragraphe:

This is a preview of "IEC 61010-2-032 Ed. ...". [Click here to purchase the full version from the ANSI store.](#)

Les exigences pour la protection contre les DANGERS résultant d'une UTILISATION NORMALE et d'un MAUVAIS USAGE RAISONNABLEMENT PRÉVISIBLE de circuits de mesure sont données à l'Article 101.

Les exigences pour la prévention du RISQUE d'arc électrique et de courts-circuits sont données à l'Article 102.

2 Références normatives

Cet article de la Partie 1 est applicable.