



INTERNATIONAL STANDARD

NORME INTERNATIONALE



**Fuel cell technologies –
Part 3-200: Stationary fuel cell power systems – Performance test methods**

**Technologies des piles à combustible –
Partie 3-200: Systèmes à piles à combustible stationnaires – Méthodes d'essai
des performances**

INTERNATIONAL
ELECTROTECHNICAL
COMMISSION

COMMISSION
ELECTROTECHNIQUE
INTERNATIONALE

PRICE CODE **XC**
CODE PRIX

ICS 27.070

ISBN 978-2-88912-732-0

CONTENTS

| | |
|-----------------------------------------------------------------------------|----|
| FOREWORD..... | 5 |
| INTRODUCTION..... | 7 |
| 1 Scope..... | 8 |
| 2 Normative references..... | 9 |
| 3 Terms, definitions and symbols..... | 11 |
| 3.1 Terms and definitions..... | 11 |
| 3.2 Symbols..... | 15 |
| 4 Reference conditions..... | 18 |
| 4.1 General..... | 18 |
| 4.2 Temperature and pressure..... | 18 |
| 4.3 Heating value base..... | 19 |
| 5 Item of performance test..... | 19 |
| 6 Test preparation..... | 19 |
| 6.1 General..... | 19 |
| 6.2 Uncertainty analysis..... | 20 |
| 6.2.1 Uncertainty analysis items..... | 20 |
| 6.2.2 Data acquisition plan..... | 20 |
| 7 Measurement instruments and measurement methods..... | 20 |
| 7.1 General..... | 20 |
| 7.2 Measurement instruments..... | 20 |
| 7.3 Measurement methods..... | 21 |
| 7.3.1 Electric power measurements..... | 21 |
| 7.3.2 Fuel input measurement..... | 22 |
| 7.3.3 Recovered heat measurement..... | 24 |
| 7.3.4 Purge gas flow measurement..... | 25 |
| 7.3.5 Oxidant (air) input measurement..... | 25 |
| 7.3.6 Other fluid flow measurement..... | 26 |
| 7.3.7 Exhaust gas flow measurement..... | 27 |
| 7.3.8 Discharge water measurement..... | 28 |
| 7.3.9 Audible noise level measurement..... | 29 |
| 7.3.10 Vibration level measurement..... | 29 |
| 7.3.11 Total harmonic distortion measurement..... | 29 |
| 7.3.12 Ambient condition measurement..... | 29 |
| 8 Test plan..... | 30 |
| 8.1 General..... | 30 |
| 8.2 Ambient conditions..... | 30 |
| 8.3 Maximum permissible variation in steady-state operating conditions..... | 31 |
| 8.4 Test operating procedure..... | 32 |
| 8.5 Duration of test and frequency of readings..... | 32 |
| 9 Test methods and computation of test results..... | 32 |
| 9.1 General..... | 32 |
| 9.2 Efficiency test..... | 32 |
| 9.2.1 General..... | 32 |
| 9.2.2 Test method..... | 32 |
| 9.2.3 Computation of inputs..... | 33 |

| | | |
|---------------------|----------------------------------------------------------------------------------------------------|----|
| 9.2.4 | Computation of output | 42 |
| 9.2.5 | Computation of efficiencies..... | 44 |
| 9.3 | Electric power and thermal power response characteristics test | 44 |
| 9.3.1 | General | 44 |
| 9.3.2 | Electric power output response time | 49 |
| 9.3.3 | Thermal power output response time | 53 |
| 9.4 | Start-up and shutdown characteristics test | 56 |
| 9.5 | Purge gas consumption test | 56 |
| 9.6 | Water consumption test..... | 57 |
| 9.7 | Waste heat test | 57 |
| 9.8 | Exhaust gas emission test..... | 57 |
| 9.8.1 | General | 57 |
| 9.8.2 | Calculation of emissions..... | 57 |
| 9.9 | Audible noise level test | 58 |
| 9.10 | Vibration level test..... | 58 |
| 9.11 | Discharge water quality test | 59 |
| 10 | Test reports..... | 59 |
| 10.1 | General..... | 59 |
| 10.2 | Title page | 59 |
| 10.3 | Table of contents..... | 59 |
| 10.4 | Summary report..... | 59 |
| 10.5 | Detailed report | 60 |
| 10.6 | Full report | 60 |
| Annex A (normative) | Uncertainty analysis..... | 61 |
| Annex B (normative) | Calculation of fuel heating value | 76 |
| Annex C (normative) | Reference gas | 79 |
| Bibliography..... | | 82 |
| Figure 1 | – Fuel cell power system diagram | 9 |
| Figure 2 | – Symbol diagram | 18 |
| Figure 3 | – Operating process chart of fuel cell power system..... | 45 |
| Figure 4 | – Net electric and thermal power response time ramp rates | 46 |
| Figure 5 | – Example for net electric and thermal power response time ramp rates to attain stable state | 47 |
| Figure 6 | – 90 % response time ramp rates..... | 48 |
| Table 1 | – Symbols | 15 |
| Table 2 | – Test classification and test item | 19 |
| Table 3 | – Test item and system status | 30 |
| Table 4 | – Maximum permissible variations in test operating conditions | 31 |
| Table 5 | – Vibration correction factors..... | 59 |
| Table A.1 | – Summary of measurement parameters and their nominal values | 66 |
| Table A.2 | – Nominal values of the calculation results..... | 66 |
| Table A.3 | – Elemental error sources for the various parameters | 67 |
| Table A.4 | – Absolute systematic uncertainty (B_i) and absolute random uncertainty ($2S_{xi}$)..... | 69 |
| Table A.5 | – Sensitivity coefficients for the parameter P_i | 71 |

This is a preview of "IEC 62282-3-200 Ed. ...". [Click here to purchase the full version from the ANSI store.](#)

| | |
|-----------------------------------------------------------------------------------------------------------------------------------|----|
| Table A.6 – Propagated systematic uncertainty B_R and random uncertainty $2S_R$ | 72 |
| Table A.7 – Total absolute uncertainty of the result U_{R95} and per cent uncertainty of U_{R95} of electric efficiency | 74 |
| Table B.1 – Heating value for component of gaseous fuel | 76 |
| Worksheet 1 – Calculation worksheet for energy of fuel gases | 77 |
| Worksheet 2 – Calculation worksheet for energy of air | 78 |
| Table C.1 – Reference gas for natural gas | 80 |
| Table C.2 – Reference gas for propane gas | 80 |

INTERNATIONAL ELECTROTECHNICAL COMMISSION

FUEL CELL TECHNOLOGIES –

Part 3-200: Stationary fuel cell power systems – Performance test methods

FOREWORD

- 1) The International Electrotechnical Commission (IEC) is a worldwide organization for standardization comprising all national electrotechnical committees (IEC National Committees). The object of IEC is to promote international co-operation on all questions concerning standardization in the electrical and electronic fields. To this end and in addition to other activities, IEC publishes International Standards, Technical Specifications, Technical Reports, Publicly Available Specifications (PAS) and Guides (hereafter referred to as "IEC Publication(s)"). Their preparation is entrusted to technical committees; any IEC National Committee interested in the subject dealt with may participate in this preparatory work. International, governmental and non-governmental organizations liaising with the IEC also participate in this preparation. IEC collaborates closely with the International Organization for Standardization (ISO) in accordance with conditions determined by agreement between the two organizations.
- 2) The formal decisions or agreements of IEC on technical matters express, as nearly as possible, an international consensus of opinion on the relevant subjects since each technical committee has representation from all interested IEC National Committees.
- 3) IEC Publications have the form of recommendations for international use and are accepted by IEC National Committees in that sense. While all reasonable efforts are made to ensure that the technical content of IEC Publications is accurate, IEC cannot be held responsible for the way in which they are used or for any misinterpretation by any end user.
- 4) In order to promote international uniformity, IEC National Committees undertake to apply IEC Publications transparently to the maximum extent possible in their national and regional publications. Any divergence between any IEC Publication and the corresponding national or regional publication shall be clearly indicated in the latter.
- 5) IEC itself does not provide any attestation of conformity. Independent certification bodies provide conformity assessment services and, in some areas, access to IEC marks of conformity. IEC is not responsible for any services carried out by independent certification bodies.
- 6) All users should ensure that they have the latest edition of this publication.
- 7) No liability shall attach to IEC or its directors, employees, servants or agents including individual experts and members of its technical committees and IEC National Committees for any personal injury, property damage or other damage of any nature whatsoever, whether direct or indirect, or for costs (including legal fees) and expenses arising out of the publication, use of, or reliance upon, this IEC Publication or any other IEC Publications.
- 8) Attention is drawn to the Normative references cited in this publication. Use of the referenced publications is indispensable for the correct application of this publication.
- 9) Attention is drawn to the possibility that some of the elements of this IEC Publication may be the subject of patent rights. IEC shall not be held responsible for identifying any or all such patent rights.

International Standard IEC 62282-3-200 has been prepared by IEC technical committee 105: Fuel cell technologies.

This first edition of IEC 62282-3-200 cancels and replaces the first edition of IEC 62282-3-2, published in 2006, and constitutes a technical as well as a structural revision.

The principal changes in this first edition of IEC 62282-3-200 as compared with the first edition of IEC 62282-3-2 aim to harmonize with ASME PTC-50. They are as follows:

- the equations for efficiency calculation are changed from power-base to average power-base, which is obtained by dividing energy by test duration;
- the duration of the test and frequency of reading are changed;
- the efficiency test at partial load is no longer mandatory. Whether or not to conduct the test at partial load should be determined by the parties conducting the tests;

This is a preview of "IEC 62282-3-200 Ed. ...". [Click here to purchase the full version from the ANSI store.](#)

- the flow rate measurement method is modified. Both mass flow rate and volume flow rate are used for calculations of efficiency;
- the thermal energy input and mechanical energy input are incorporated into efficiency calculations.

The development of an independent standard on performance test methods of small stationary fuel cell power systems is currently under way (future IEC 62282-3-201). It will be harmonized with this standard.

The text of this standard is based on the following documents:

| FDIS | Report on voting |
|--------------|------------------|
| 105/340/FDIS | 105/349/RVD |

Full information on the voting for the approval of this standard can be found in the report on voting indicated in the above table.

This publication has been drafted in accordance with the ISO/IEC Directives, Part 2.

A list of all the parts in the IEC 62282 series, published under the general title *Fuel cell technologies*, can be found on the IEC website.

The committee has decided that the contents of this publication will remain unchanged until the stability date indicated on the IEC web site under "<http://webstore.iec.ch>" in the data related to the specific publication. At this date, the publication will be

- reconfirmed,
- withdrawn,
- replaced by a revised edition, or
- amended.

IMPORTANT – The 'colour inside' logo on the cover page of this publication indicates that it contains colours which are considered to be useful for the correct understanding of its contents. Users should therefore print this document using a colour printer.

INTRODUCTION

This part of IEC 62282 describes how to measure the performance of stationary fuel cell power systems for residential, commercial, agricultural and industrial applications.

The following fuel cell types have been considered:

- alkaline fuel cells (AFC),
- phosphoric acid fuel cells (PAFC),
- polymer electrolyte fuel cells (PEFC),
- molten carbonate fuel cells (MCFC);
- solid oxide fuel cells (SOFC).

FUEL CELL TECHNOLOGIES –

Part 3-200: Stationary fuel cell power systems – Performance test methods

1 Scope

This part of IEC 62282 covers operational and environmental aspects of the stationary fuel cell power systems performance. The test methods apply as follows:

- power output under specified operating and transient conditions;
- electric and thermal efficiency under specified operating conditions;
- environmental characteristics; for example, gas emissions, noise, etc. under specified operating and transient conditions.

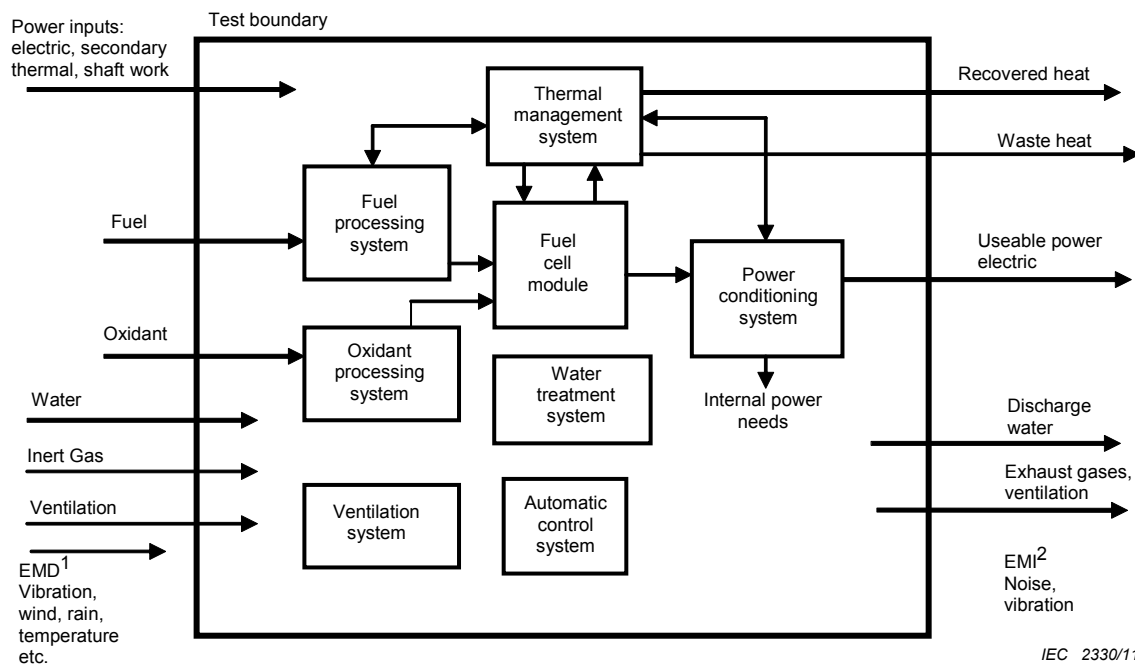
This standard does not provide coverage for electromagnetic compatibility (EMC).

This standard does not apply to small stationary fuel cell power systems with electric power output of less than 10 kW which will be dealt with in the future IEC 62282-3-201.

Fuel cell power systems may have different subsystems depending upon types of fuel cell and applications, and they have different streams of material and energy into and out of them. However, a common system diagram and boundary has been defined for evaluation of the fuel cell power system (see Figure 1).

The following conditions are considered in order to determine the test boundary of the fuel cell power system:

- all energy recovery systems are included within the test boundary;
- all kinds of electric energy storage devices are considered outside the test boundary;
- calculation of the heating value of the input fuel (such as natural gas, propane gas and pure hydrogen gas, etc.) is based on the conditions of the fuel at the boundary of the fuel cell power system.



Key



: **Fuel cell power system** including subsystems. The interface is defined as a conceptual or functional one instead of hardware such as a power package.



: **Subsystems**; fuel cell module, fuel processor, etc. These subsystem configurations depend on the kind of fuel, type of fuel cell or system.



: **The interface points** in the boundary to be measured for calculation data.

¹ EMD : electromagnetic disturbance

² EMI : electromagnetic interference

Figure 1 – Fuel cell power system diagram

2 Normative references

The following referenced documents are indispensable for the application of this document. For dated references, only the edition cited applies. For undated references, the latest edition of the referenced document (including any amendments) applies.

IEC 60051 (all parts), *Direct acting indicating analogue electrical measuring instruments and their accessories*

IEC 60359, *Electrical and electronic equipment – Expression of performance*

IEC 60688, *Electrical measuring transducers for converting a.c. electrical quantities to analogue or digital signals*

IEC 61000-4-7, *Electromagnetic compatibility (EMC) – Part 4-7: Testing and measurement techniques – General guide on harmonics and interharmonics measurements and instrumentation, for power supply systems and equipment connected thereto*

This is a preview of "IEC 62282-3-200 Ed. ...". [Click here to purchase the full version from the ANSI store.](#)

IEC 61000-4-13, *Electromagnetic compatibility (EMC) – Part 4-13: Testing and measurement techniques – Harmonics and interharmonics including mains signalling at a.c. power port, low frequency immunity tests*

IEC 61028, *Electrical measuring instruments – X-Y recorders*

IEC 61143 (all parts), *Electrical measuring instruments – X-t recorders*

IEC 61672-1, *Electroacoustics – Sound level meters – Part 1: Specifications*

IEC 61672-2, *Electroacoustics – Sound level meters – Part 2: Pattern evaluation tests*

IEC 62052-11, *Electricity metering equipment (AC) – General requirements, tests and test conditions – Part 11: Metering equipment*

IEC 62053-22, *Electricity metering equipment (a.c.) – Particular requirements – Part 22: Static meters for active energy (classes 0,2 S and 0,5 S)*

ISO/IEC Guide 98-3, *Uncertainty of measurement – Part 3: Guide to the expression of uncertainty in measurement (GUM:1995)*

ISO 3648, *Aviation fuels – Estimation of net specific energy*

ISO 3744, *Acoustics – Determination of sound power levels and sound energy levels of noise sources using sound pressure – Engineering methods for an essentially free field over a reflecting plane*

ISO 4677-1, *Atmospheres for conditioning and testing – Determination of relative humidity – Part 1: Aspirated psychrometer method*

ISO 4677-2, *Atmospheres for conditioning and testing – Determination of relative humidity – Part 2: Whirling psychrometer method*

ISO 5167 (all parts), *Measurement of fluid flow by means of pressure differential devices inserted in circular cross-section conduits running full*

ISO 5348, *Mechanical vibration and shock – Mechanical mounting of accelerometers*

ISO 6060, *Water quality – Determination of the chemical oxygen demand*

ISO 6326 (all parts), *Natural gas – Determination of sulfur compounds*

ISO 6974 (all parts), *Natural gas – Determination of composition with defined uncertainty by gas chromatography*

ISO 6975 (all parts), *Natural gas – Extended analysis – Gas chromatographic method*

ISO 7934, *Stationary source emissions – Determination of the mass concentration of sulfur dioxide – Hydrogen peroxide/barium perchlorate/Thorin method*

ISO 7935, *Stationary source emissions – Determination of the mass concentration of sulfur dioxide – Performance characteristics of automated measuring methods*

ISO 8217, *Petroleum products – Fuel (class F) – Specifications of marine fuels*

This is a preview of "IEC 62282-3-200 Ed. ...". [Click here to purchase the full version from the ANSI store.](#)

ISO 9000, *Quality management systems – Fundamentals and vocabulary*

ISO 9096, *Stationary source emissions – Manual determination of mass concentration of particulate matter*

ISO 10101 (all parts), *Natural gas – Determination of water by the Karl Fisher method*

ISO 10396, *Stationary source emissions – Sampling for the automated determination of gas concentrations for permanently installed monitoring systems*

ISO 10523, *Water quality – Determination of pH*

ISO 10707, *Water quality – Evaluation in an aqueous medium of the "ultimate" aerobic biodegradability of organic compounds – Method by analysis of biochemical oxygen demand (closed bottle test)*

ISO 10780, *Stationary source emissions – Measurement of velocity and volume flowrate of gas streams in ducts*

ISO 10849, *Stationary source emissions – Determination of the mass concentration of nitrogen oxides – Performance characteristics of automated measuring systems*

ISO 11042-1, *Gas turbines – Exhaust gas emission – Part 1: Measurement and evaluation*

ISO 11042-2, *Gas turbines – Exhaust gas emission – Part 2: Automated emission monitoring*

ISO 11541, *Natural gas – Determination of water content at high pressure*

ISO 11564, *Stationary source emissions – Determination of the mass concentration of nitrogen oxides – Naphthylethylenediamine photometric method*

ISO 14687, *Hydrogen fuel – Product specification*

ISO/TR 15916, *Basic consideration for the safety of hydrogen systems*

ISO 16622, *Meteorology – Sonic anemometer/thermometers – Acceptance test methods for mean wind measurements*

ASTM D4809-00, *Standard Test Method for Heat of Combustion of Liquid Hydrocarbon Fuels by Bomb Calorimeter (Precision Method)*

ASTM F2602-08e1, *Standard Test Method for Determining the Molar Mass of Chitosan and Chitosan Salts by Size Exclusion Chromatography with Multi-angle Light Scattering Detection (SEC-MALS)*

ASME PTC 50, *Performance Test Code 50 – Fuel Cell Power Systems Performance*

SOMMAIRE

| | |
|-------------------------------------------------------------------------------------|-----|
| AVANT-PROPOS | 87 |
| INTRODUCTION..... | 89 |
| 1 Domaine d'application | 90 |
| 2 Références normatives..... | 91 |
| 3 Termes, définitions et symboles | 94 |
| 3.1 Termes et définitions..... | 94 |
| 3.2 Symboles | 98 |
| 4 Conditions de référence | 101 |
| 4.1 Généralités..... | 101 |
| 4.2 Température et pression | 101 |
| 4.3 Base du pouvoir calorifique | 101 |
| 5 Éléments des essais de performance | 102 |
| 6 Préparation aux essais | 102 |
| 6.1 Généralités..... | 102 |
| 6.2 Analyse d'incertitude | 103 |
| 6.2.1 Éléments d'analyse de l'incertitude | 103 |
| 6.2.2 Plan d'acquisition des données..... | 103 |
| 7 Appareils de mesure et méthodes de mesure | 103 |
| 7.1 Généralités..... | 103 |
| 7.2 Appareils de mesure | 103 |
| 7.3 Méthodes de mesure | 104 |
| 7.3.1 Mesures de puissance électrique..... | 104 |
| 7.3.2 Mesure de l'entrée de combustible | 105 |
| 7.3.3 Mesure de la chaleur récupérée | 107 |
| 7.3.4 Mesure du débit de gaz de purge..... | 108 |
| 7.3.5 Mesure de l'entrée d'oxydant (air) | 109 |
| 7.3.6 Autres mesures de débit de fluide..... | 110 |
| 7.3.7 Mesure du débit des gaz d'échappement..... | 110 |
| 7.3.8 Mesure de l'eau d'écoulement | 112 |
| 7.3.9 Mesure du niveau de bruit audible | 112 |
| 7.3.10 Mesure du niveau de vibration | 113 |
| 7.3.11 Mesure de la distorsion harmonique totale..... | 113 |
| 7.3.12 Mesure des conditions ambiantes..... | 113 |
| 8 Plan d'essai..... | 114 |
| 8.1 Généralités..... | 114 |
| 8.2 Conditions ambiantes | 114 |
| 8.3 Variation maximale admissible dans les conditions de fonctionnement stable..... | 115 |
| 8.4 Procédure de fonctionnement d'essai | 115 |
| 8.5 Durée d'essai et fréquence des valeurs lues..... | 116 |
| 9 Méthodes d'essai et calcul des résultats d'essai | 116 |
| 9.1 Généralités..... | 116 |
| 9.2 Essai de rendement..... | 116 |
| 9.2.1 Généralités..... | 116 |
| 9.2.2 Méthode d'essai | 116 |
| 9.2.3 Calcul des entrées..... | 117 |

| | | |
|-------|---------------------------------------------------------------------------------------------------------------------------|-----|
| 9.2.4 | Calcul de la sortie..... | 126 |
| 9.2.5 | Calcul des rendements | 128 |
| 9.3 | Essai des caractéristiques de réponse de puissance électrique et de puissance thermique | 129 |
| 9.3.1 | Généralités..... | 129 |
| 9.3.2 | Temps de réponse de la puissance électrique de sortie | 134 |
| 9.3.3 | Temps de réponse de la puissance thermique de sortie..... | 139 |
| 9.4 | Essai des caractéristiques de démarrage/d'arrêt | 142 |
| 9.5 | Essai de consommation de gaz de purge..... | 142 |
| 9.6 | Essai de consommation d'eau | 142 |
| 9.7 | Essai de chaleur résiduelle..... | 143 |
| 9.8 | Essai d'émission de gaz d'échappement | 143 |
| 9.8.1 | Généralités..... | 143 |
| 9.8.2 | Calcul des émissions..... | 143 |
| 9.9 | Essai de niveau de bruit audible..... | 144 |
| 9.10 | Essai de niveau de vibration..... | 144 |
| 9.11 | Essai de qualité de l'eau d'écoulement..... | 145 |
| 10 | Rapports d'essai..... | 145 |
| 10.1 | Généralités..... | 145 |
| 10.2 | Page de titre | 145 |
| 10.3 | Sommaire..... | 145 |
| 10.4 | Rapport résumé..... | 145 |
| 10.5 | Rapport détaillé..... | 146 |
| 10.6 | Rapport complet..... | 146 |
| | Annexe A (normative) Analyse d'incertitude..... | 147 |
| | Annexe B (normative) Calcul du pouvoir calorifique du combustible | 162 |
| | Annexe C (normative) Gaz de référence | 166 |
| | Bibliographie..... | 169 |
| | Figure 1 – Schéma du système à pile à combustible | 91 |
| | Figure 2 – Schéma des symboles | 101 |
| | Figure 3 – Graphique du processus de fonctionnement du système à pile à combustible | 130 |
| | Figure 4 – Taux de réponse des puissances électriques et thermiques | 131 |
| | Figure 5 – Exemples de taux de réponse des puissances électriques et thermiques nettes pour atteindre un état stable..... | 132 |
| | Figure 6 – Taux de réponse à 90 % | 133 |
| | Tableau 1 – Symboles | 98 |
| | Tableau 2 – Classification d'essai et élément d'essai..... | 102 |
| | Tableau 3 – Élément d'essai et statut du système..... | 114 |
| | Tableau 4 – Variations maximales admissibles dans les conditions de fonctionnement d'essai | 115 |
| | Tableau 5 – Facteurs de correction du niveau de vibrations..... | 145 |
| | Tableau A.1 – Résumé des paramètres de mesure et de leurs valeurs nominales..... | 152 |
| | Tableau A.2 – Valeurs nominales des résultats de calcul | 152 |
| | Tableau A.3 – Sources d'erreurs élémentaires pour les différents paramètres | 153 |

This is a preview of "IEC 62282-3-200 Ed. ...". [Click here to purchase the full version from the ANSI store.](#)

| | |
|-----------------------------------------------------------------------------------------------------------------------------------------|-----|
| Tableau A.4 – Incertitude systématique absolue (B_i) et incertitude aléatoire absolue ($2S_{xi}$)..... | 155 |
| Tableau A.5 – Coefficients de sensibilité pour le paramètre P_i | 157 |
| Tableau A.6 – Incertitude systématique B_R et incertitude aléatoire propagées $2S_R$ | 158 |
| Tableau A.7 – Incertitude absolue totale du résultat U_{R95} et incertitude en pourcentage de U_{R95} du rendement électrique | 160 |
| Tableau B.1 – Pouvoir calorifique des composants du combustible gazeux..... | 162 |
| Feuille de calcul 1 – Feuille de calcul pour l'énergie des gaz combustibles | 164 |
| Feuille de travail 2 – Feuille de calcul pour l'énergie de l'air..... | 165 |
| Tableau C.1 – Gaz de référence pour le gaz naturel | 167 |
| Tableau C.2 – Gaz de référence pour le gaz propane | 168 |

COMMISSION ELECTROTECHNIQUE INTERNATIONALE

TECHNOLOGIES DES PILES À COMBUSTIBLE –

**Partie 3-200: Systèmes à piles à combustible stationnaires –
Méthodes d'essai des performances**

AVANT-PROPOS

- 1) La Commission Electrotechnique Internationale (CEI) est une organisation mondiale de normalisation composée de l'ensemble des comités électrotechniques nationaux (Comités nationaux de la CEI). La CEI a pour objet de favoriser la coopération internationale pour toutes les questions de normalisation dans les domaines de l'électricité et de l'électronique. A cet effet, la CEI – entre autres activités – publie des Normes internationales, des Spécifications techniques, des Rapports techniques, des Spécifications accessibles au public (PAS) et des Guides (ci-après dénommés "Publication(s) de la CEI"). Leur élaboration est confiée à des comités d'études, aux travaux desquels tout Comité national intéressé par le sujet traité peut participer. Les organisations internationales, gouvernementales et non gouvernementales, en liaison avec la CEI, participent également aux travaux. La CEI collabore étroitement avec l'Organisation Internationale de Normalisation (ISO), selon des conditions fixées par accord entre les deux organisations.
- 2) Les décisions ou accords officiels de la CEI concernant les questions techniques représentent, dans la mesure du possible, un accord international sur les sujets étudiés, étant donné que les Comités nationaux de la CEI intéressés sont représentés dans chaque comité d'études.
- 3) Les Publications de la CEI se présentent sous la forme de recommandations internationales et sont agréées comme telles par les Comités nationaux de la CEI. Tous les efforts raisonnables sont entrepris afin que la CEI s'assure de l'exactitude du contenu technique de ses publications; la CEI ne peut pas être tenue responsable de l'éventuelle mauvaise utilisation ou interprétation qui en est faite par un quelconque utilisateur final.
- 4) Dans le but d'encourager l'uniformité internationale, les Comités nationaux de la CEI s'engagent, dans toute la mesure possible, à appliquer de façon transparente les Publications de la CEI dans leurs publications nationales et régionales. Toutes divergences entre toutes Publications de la CEI et toutes publications nationales ou régionales correspondantes doivent être indiquées en termes clairs dans ces dernières.
- 5) La CEI elle-même ne fournit aucune attestation de conformité. Des organismes de certification indépendants fournissent des services d'évaluation de conformité et, dans certains secteurs, accèdent aux marques de conformité de la CEI. La CEI n'est responsable d'aucun des services effectués par les organismes de certification indépendants.
- 6) Tous les utilisateurs doivent s'assurer qu'ils sont en possession de la dernière édition de cette publication.
- 7) Aucune responsabilité ne doit être imputée à la CEI, à ses administrateurs, employés, auxiliaires ou mandataires, y compris ses experts particuliers et les membres de ses comités d'études et des Comités nationaux de la CEI, pour tout préjudice causé en cas de dommages corporels et matériels, ou de tout autre dommage de quelque nature que ce soit, directe ou indirecte, ou pour supporter les coûts (y compris les frais de justice) et les dépenses découlant de la publication ou de l'utilisation de cette Publication de la CEI ou de toute autre Publication de la CEI, ou au crédit qui lui est accordé.
- 8) L'attention est attirée sur les références normatives citées dans cette publication. L'utilisation de publications référencées est obligatoire pour une application correcte de la présente publication.
- 9) L'attention est attirée sur le fait que certains des éléments de la présente Publication de la CEI peuvent faire l'objet de droits de brevet. La CEI ne saurait être tenue pour responsable de ne pas avoir identifié de tels droits de brevets et de ne pas avoir signalé leur existence.

La Norme internationale CEI 62282-3-200 a été établie par le comité d'études 105 de la CEI: Technologies des piles à combustible.

Cette première édition de la CEI 62282-3-200 annule et remplace la première édition de la CEI 62282-3-2, parue en 2006, dont elle constitue à la fois une révision technique ainsi qu'une révision structurelle.

Les principales modifications de cette première édition de la CEI 62282-3-200 par rapport à la première édition de la CEI 62282-3-2 visent à une harmonisation avec la ASME PTC-50. Ces modifications sont les suivantes:

- les équations servant à calculer les rendements ne sont plus basées sur la puissance, mais sur la puissance moyenne, laquelle s'obtient en divisant l'énergie par la durée de l'essai;

This is a preview of "IEC 62282-3-200 Ed. ...". [Click here to purchase the full version from the ANSI store.](#)

- la durée de l'essai et la fréquence de mesure sont modifiées;
- l'essai de rendement en charge partielle n'est plus obligatoire. Il convient que la décision d'effectuer ou non l'essai en charge partielle revienne aux parties effectuant les essais;
- la méthode de mesure de débit est modifiée. Le débit massique et le débit volumique sont tous deux utilisés pour les calculs de rendement;
- l'énergie thermique d'entrée et l'énergie mécanique d'entrée sont incorporées dans les calculs de rendement.

L'élaboration d'une norme indépendante sur les méthodes d'essai des performances des petits systèmes à piles à combustible stationnaires est en cours (future CEI 62282-3-201). Elle sera harmonisée avec la présente norme.

Le texte de cette norme est issu des documents suivants:

| FDIS | Rapport de vote |
|--------------|-----------------|
| 105/340/FDIS | 105/349/RVD |

Le rapport de vote indiqué dans le tableau ci-dessus donne toute information sur le vote ayant abouti à l'approbation de cette norme.

Cette publication a été rédigée selon les Directives ISO/CEI, Partie 2.

Une liste de toutes les parties de la série CEI 62282, publiées sous le titre général *Technologies des piles à combustible*, peut être consultée sur le site web de la CEI.

Le comité a décidé que le contenu de cette publication ne sera pas modifié avant la date de stabilité indiquée sur le site web de la CEI sous "http://webstore.iec.ch" dans les données relatives à la publication recherchée. A cette date, la publication sera

- reconduite,
- supprimée,
- remplacée par une édition révisée, ou
- amendée.

IMPORTANT – Le logo "colour inside" qui se trouve sur la page de couverture de cette publication indique qu'elle contient des couleurs qui sont considérées comme utiles à une bonne compréhension de son contenu. Les utilisateurs devraient, par conséquent, imprimer cette publication en utilisant une imprimante couleur.

INTRODUCTION

La présente partie de la CEI 62282 décrit la manière de mesurer les performances des systèmes à piles à combustible stationnaires pour les applications résidentielles, commerciales, agricoles et industrielles.

Les types de piles à combustible suivants sont pris en compte:

- piles à combustible alcalines (AFC);
- piles à combustible à acide phosphorique (PAFC);
- piles à combustible à électrolyte polymère (PEFC);
- piles à combustible à carbonates fondus (MCFC);
- piles à combustible à oxyde solide (SOFC).

TECHNOLOGIES DES PILES A COMBUSTIBLE –

Partie 3-200: Systèmes à piles à combustible stationnaires – Méthodes d'essai des performances

1 Domaine d'application

La présente partie de la CEI 62282 couvre les aspects de fonctionnement et d'environnement des performances des systèmes à piles à combustible stationnaires. Les méthodes d'essai s'appliquent comme suit:

- puissance de sortie dans des conditions de fonctionnement spécifiées y compris les conditions transitoires;
- rendements électrique et thermique dans des conditions de fonctionnement spécifiées;
- caractéristiques d'environnement, par exemple, émissions de gaz, bruit, etc., dans des conditions de fonctionnement spécifiées y compris les conditions transitoires.

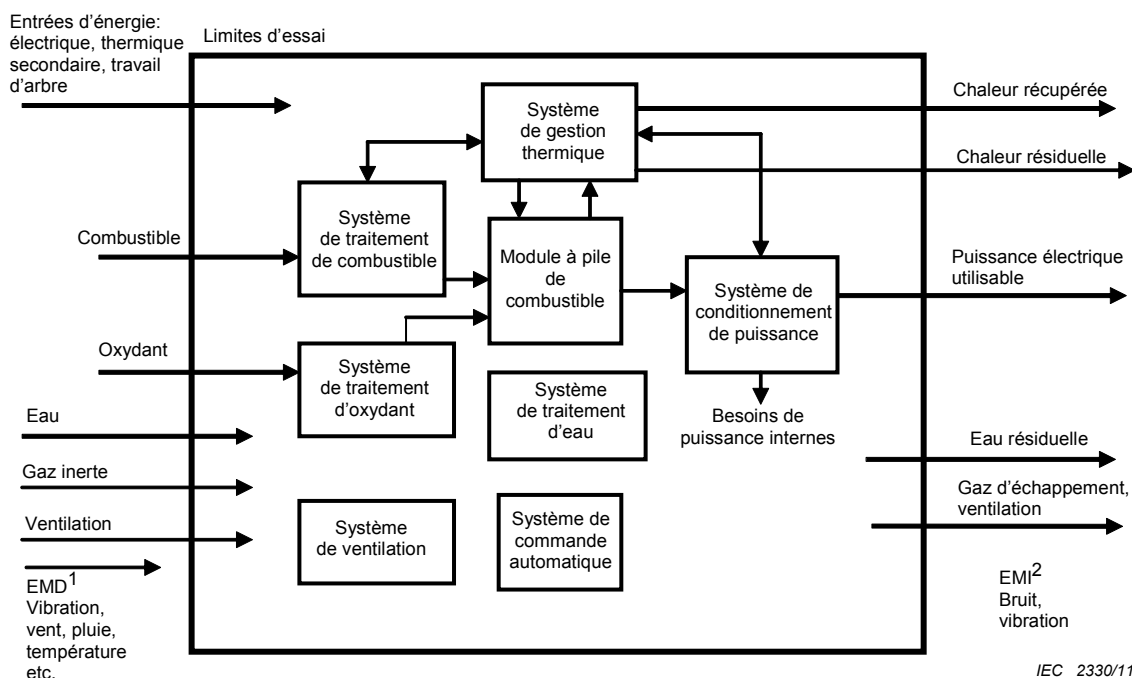
La présente norme n'aborde pas la compatibilité électromagnétique (CEM).

La présente norme ne concerne pas les petits systèmes à piles à combustible stationnaires de sortie de puissance électrique inférieure à 10 kW qui seront traitées dans la future CEI 62282-3-201.

Les systèmes à piles à combustible peuvent avoir différents sous-systèmes en fonction des types de piles et d'applications et ils subissent différents flux de matière et d'énergie en entrée et en sortie. Toutefois, un schéma commun de système et de ses limites a été défini pour l'évaluation du système à pile à combustible (voir Figure 1).

Les conditions suivantes sont prises en compte pour déterminer la limite d'essai du système à pile à combustible:

- tous les systèmes de récupération d'énergie sont inclus dans les limites de l'essai;
- toutes sortes de dispositifs de stockage d'énergie électrique sont considérées comme étant en dehors de la limite d'essai;
- le calcul du pouvoir calorifique du combustible entrant (tel que le gaz naturel, le propane et l'hydrogène pur, etc.) est fondé sur les conditions du combustible à la limite du système de pile à combustible.



Légende



: **Système à pile à combustible** composé de sous-systèmes. L'interface est définie comme étant une interface conceptuelle ou fonctionnelle, plutôt qu'un élément matériel comme une centrale énergétique.



: **Sous-systèmes**; module de pile à combustible, système de traitement de combustible, etc. Ces configurations de sous-systèmes dépendent du type de combustible, du type de pile à combustible ou du système.



: **Points d'interface** de la limite à mesurer pour obtenir les données calculées.

¹ EMD : perturbation électromagnétique

² EMI : interférence électromagnétique

Figure 1 – Schéma du système à pile à combustible

2 Références normatives

Les documents de référence suivants sont indispensables pour l'application du présent document. Pour les références datées, seule l'édition citée s'applique. Pour les références non datées, la dernière édition du document de référence s'applique (y compris les éventuels amendements).

CEI 60051 (toutes les parties), *Appareils mesureurs électriques indicateurs analogiques à action directe et leurs accessoires*

CEI 60359, *Appareils de mesure électriques et électroniques – Expression des performances*

CEI 60688, *Transducteurs électriques de mesure convertissant les grandeurs électriques alternatives en signaux analogiques ou numériques*

CEI 61000-4-7, *Compatibilité électromagnétique (CEM) – Partie 4-7: Techniques d'essai et de mesure – Guide général relatif aux mesures d'harmoniques et d'interharmoniques, ainsi qu'à*

This is a preview of "IEC 62282-3-200 Ed. ...". [Click here to purchase the full version from the ANSI store.](#)

l'appareillage de mesure, applicable aux réseaux d'alimentation et aux appareils qui y sont raccordés

CEI 61000-4-13, Compatibilité électromagnétique (CEM) – Partie 4-13: Techniques d'essai et de mesure – Essais d'immunité basse fréquence aux harmoniques et interharmoniques incluant les signaux transmis sur le réseau électrique alternatif

CEI 61028, Appareils électriques de mesure – Enregistreurs X-Y

CEI 61143 (toutes les parties), Appareils électriques de mesure – Enregistreurs X-t

CEI 61672-1, Electroacoustique – Sonomètres – Partie 1: Spécifications

CEI 61672-2, Electroacoustique – Sonomètres – Partie 2: Essais d'évaluation d'un modèle

CEI 62052-11, Equipement de comptage de l'électricité (CA) – Prescriptions générales, essais et conditions d'essai – Partie 11: Equipement de comptage

CEI 62053-22, Equipement de comptage de l'électricité (c.a.) – Prescriptions particulières – Partie 22: Compteurs statiques d'énergie active (classes 0,2 S et 0,5 S)

Guide ISO/CEI 98-3, Incertitude de mesure – Partie 3: Guide pour l'expression de l'incertitude de mesure (GUM:1995)

ISO 3648, Carburants aviation – Estimation de l'énergie spécifique inférieure

ISO 3744, Acoustique – Détermination des niveaux de puissance acoustique et des niveaux d'énergie acoustique émis par les sources de bruit à partir de la pression acoustique – Méthode d'expertise pour des conditions approchant celles du champ libre sur plan réfléchissant

ISO 4677-1, Atmosphères de conditionnement et d'essai – Détermination de l'humidité relative – Partie 1: Méthode utilisant un psychromètre à aspiration

ISO 4677-2, Atmosphères de conditionnement et d'essai – Détermination de l'humidité relative – Partie 2: Méthode utilisant un psychromètre fronde

ISO 5167 (toutes les parties), Mesure de débit des fluides au moyen d'appareils déprimogènes insérés dans des conduites en charge de section circulaire

ISO 5348, Vibrations et chocs mécaniques – Fixation mécanique des accéléromètres

ISO 6060, Qualité de l'eau – Détermination de la demande chimique en oxygène

ISO 6326 (toutes les parties), Gaz naturel – Détermination des composés soufrés

ISO 6974 (toutes les parties), Gaz naturel – Détermination de la composition avec une incertitude définie par chromatographie en phase gazeuse

ISO 6975 (toutes les parties), Gaz naturel – Analyse étendue – Méthode par chromatographie en phase gazeuse

ISO 7934, Émissions de sources fixes – Détermination de la concentration en masse de dioxyde de soufre – Méthode au peroxyde d'hydrogène/perchlorate de baryum/Thorin

ISO 7935, *Stationary source emissions – Determination of the mass concentration of sulfur dioxide – Performance characteristics of automated measuring methods*
(disponible en anglais seulement)

ISO 8217, *Produits pétroliers – Combustibles (classe F) – Spécifications des combustibles pour la marine*

ISO 9000, *Systèmes de management de la qualité – Principes essentiels et vocabulaire*

ISO 9096, *Émissions de sources fixes – Détermination manuelle de la concentration en masse de poussières*

ISO 10101 (toutes les parties), *Gaz naturel – Dosage de l'eau par la méthode de Karl Fischer*

ISO 10396, *Émissions de sources fixes – Échantillonnage pour la détermination automatisée des concentrations d'émission de gaz pour des systèmes fixes de surveillance*

ISO 10523, *Water quality – Determination of pH*
(disponible en anglais seulement)

ISO 10707, *Qualité de l'eau – Évaluation en milieu aqueux de la biodégradabilité aérobie "ultime" des composés organiques – Méthode par analyse de la demande biochimique en oxygène (essai en fiole fermée)*

ISO 10780, *Émissions de sources fixes – Mesurage de la vitesse et du débit-volume des courants gazeux dans des conduites*

ISO 10849, *Stationary source emissions – Determination of the mass concentration of nitrogen oxides – Performance characteristics of automated measuring systems*
(disponible en anglais seulement)

ISO 11042-1, *Turbines à gaz – Émissions de gaz d'échappement – Partie 1: Mesurage et évaluation*

ISO 11042-2, *Turbines à gaz – Émissions de gaz d'échappement – Partie 2: Surveillance automatisée des émissions*

ISO 11541, *Gaz naturel – Dosage de l'eau à haute pression*

ISO 11564, *Émissions de sources fixes – Détermination de la concentration en masse des oxydes d'azote – Méthode photométrique à la naphtyléthylène diamine (NEDA)*

ISO 14687, *Carburant hydrogène – Spécification de produit*

ISO/TR 15916, *Considérations fondamentales pour la sécurité des systèmes à l'hydrogène*

ISO 16622, *Météorologie – Anémomètres/thermomètres soniques – Méthodes d'essai d'acceptation pour les mesurages de la vitesse moyenne du vent*

ASTM D4809-00, *Standard Test Method for Heat of Combustion of Liquid Hydrocarbon Fuels by Bomb Calorimeter (Precision Method)*

ASTM F2602-08e1, *Standard Test Method for Determining the Molar Mass of Chitosan and Chitosan Salts by Size Exclusion Chromatography with Multi-angle Light Scattering Detection (SEC-MALS)*

This is a preview of "IEC 62282-3-200 Ed. ...". [Click here to purchase the full version from the ANSI store.](#)

ASME PTC 50, Performance Test Code 50 – Fuel Cell Power Systems Performance