

This is a preview of "ISO 4197:1989". [Click here to purchase the full version from the ANSI store.](#)

STANDARD

4197

Second edition
1989-07-01

**Equipment for working the soil — Hoe blades —
Fixing dimensions**

Matériel de travail du sol — Lames de bineuse — Dimensions de fixation



Reference number
ISO 4197 : 1989 (E)

Foreword

ISO (the International Organization for Standardization) is a worldwide federation of national standards bodies (ISO member bodies). The work of preparing International Standards is normally carried out through ISO technical committees. Each member body interested in a subject for which a technical committee has been established has the right to be represented on that committee. International organizations, governmental and non-governmental, in liaison with ISO, also take part in the work. ISO collaborates closely with the International Electrotechnical Commission (IEC) on all matters of electrotechnical standardization.

Draft International Standards adopted by the technical committees are circulated to the member bodies for approval before their acceptance as International Standards by the ISO Council. They are approved in accordance with ISO procedures requiring at least 75 % approval by the member bodies voting.

International Standard ISO 4197 was prepared by Technical Committee ISO/TC 23, *Tractors and machinery for agriculture and forestry*.

This second edition cancels and replaces the first edition (ISO 4197 : 1981), figure 1 of which has been technically revised.

© ISO 1989

All rights reserved. No part of this publication may be reproduced or utilized in any form or by any means, electronic or mechanical, including photocopying and microfilm, without permission in writing from the publisher.

International Organization for Standardization
Case postale 56 • CH-1211 Genève 20 • Switzerland

Printed in Switzerland

Equipment for working the soil – Hoe blades – Fixing dimensions

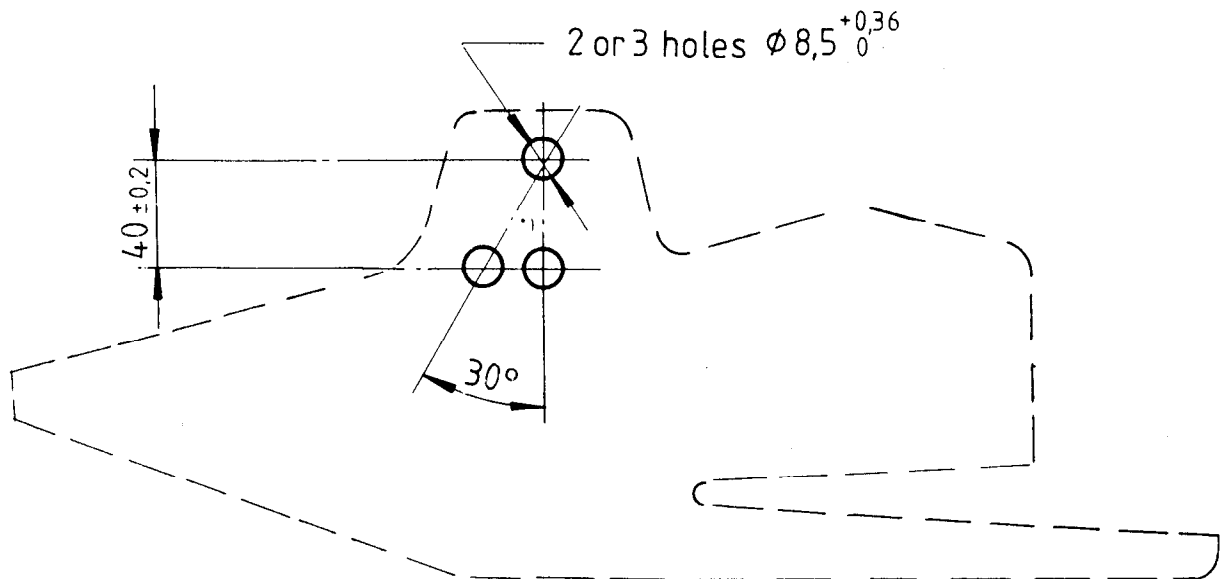
1 Scope

This International Standard specifies the fixing dimensions of hoe blades with working width up to and including 220 mm.

2 Dimensions

The fixing dimensions shall comply with those shown in figure 1.

Dimensions in millimetres



*) The hoe may have either lower hole, or both.

NOTE — The contours shown by a broken line are given for dimensional reference only.

Figure 1 — Hoe blade fixing dimensions