

INTERNATIONAL STANDARD

ISO
9242

First edition
1988-07-15



INTERNATIONAL ORGANIZATION FOR STANDARDIZATION
ORGANISATION INTERNATIONALE DE NORMALISATION
МЕЖДУНАРОДНАЯ ОРГАНИЗАЦИЯ ПО СТАНДАРТИЗАЦИИ

Pliers and nippers — Construction worker's pincers — Dimensions and test values

Pinces et tenailles — Tenailles de maçon — Dimensions et valeurs d'essai

This is a preview of "ISO 9242:1988". [Click here to purchase the full version from the ANSI store.](#)

Foreword

ISO (the International Organization for Standardization) is a worldwide federation of national standards bodies (ISO member bodies). The work of preparing International Standards is normally carried out through ISO technical committees. Each member body interested in a subject for which a technical committee has been established has the right to be represented on that committee. International organizations, governmental and non-governmental, in liaison with ISO, also take part in the work. ISO collaborates closely with the International Electrotechnical Commission (IEC) on all matters of electrotechnical standardization.

Draft International Standards adopted by the technical committees are circulated to the member bodies for approval before their acceptance as International Standards by the ISO Council. They are approved in accordance with ISO procedures requiring at least 75 % approval by the member bodies voting.

International Standard ISO 9242 was prepared by Technical Committee ISO/TC 29, *Small tools*.

Pliers and nippers — Construction worker's pincers — Dimensions and test values

1 Scope

This International Standard specifies the principal dimensions of construction worker's pincers and the test values in order to verify their aptitude to function in conformity with ISO 5744. The general technical requirements are given in ISO 5743.

The construction worker's pincers illustrated in this International Standard are only examples and are not intended to affect the manufacturers' design.

2 Normative references

The following standards contain provisions which, through reference in this text, constitute provisions of this International Standard. At the time of publication, the editions indicated

were valid. All standards are subject to revision, and parties to agreements based on this International Standard are encouraged to investigate the possibility of applying the most recent editions of the standards listed below. Members of IEC and ISO maintain registers of currently valid International Standards.

ISO 5743 : 1982, *Pliers and nippers — General technical requirements.*

ISO 5744 : 1988, *Pliers and nippers — Methods of test.*

3 Dimensions and test values

3.1 Construction worker's pincers — Style A

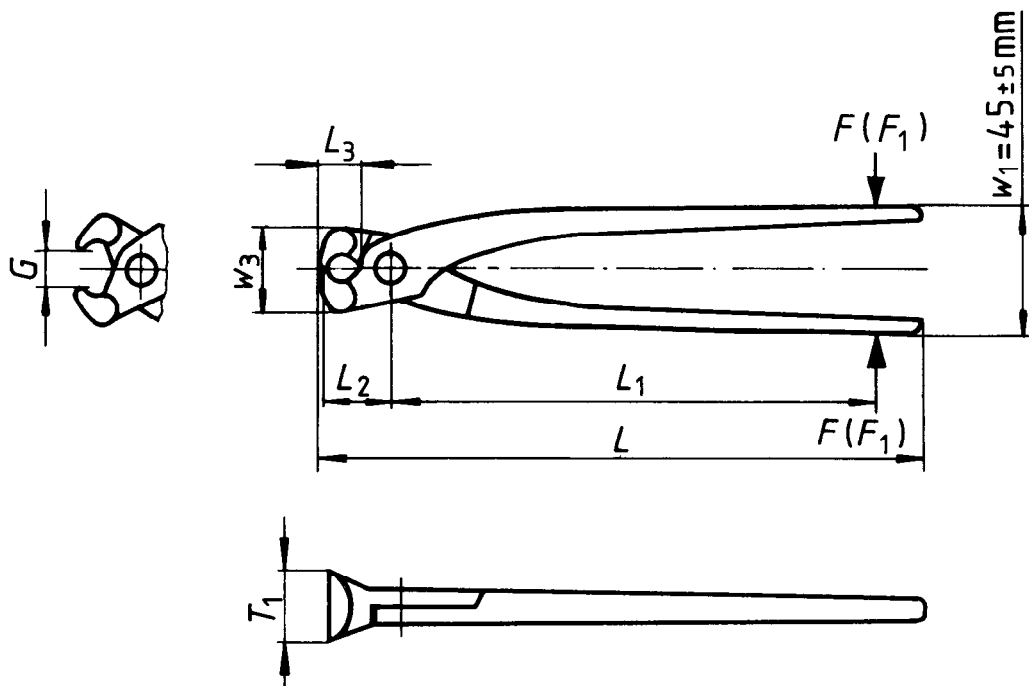


Figure 1